

K-502

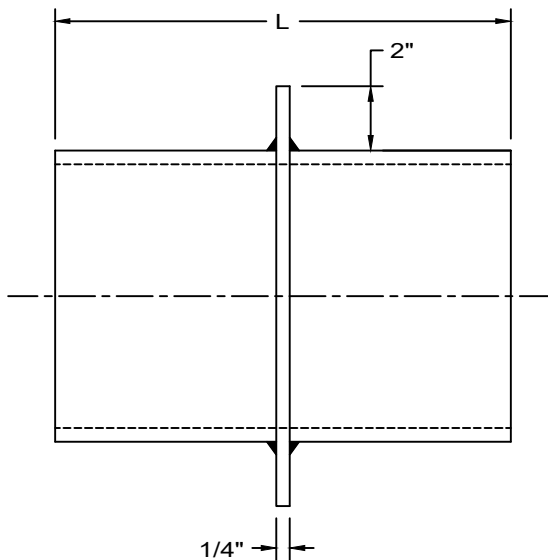
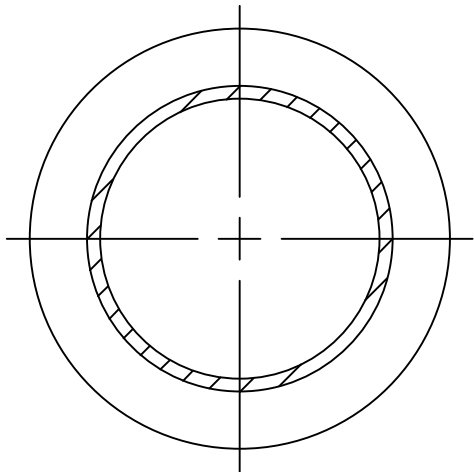
STEEL WALL SLEEVE

MATERIAL - CARBON STEEL, T-304 & T-316 STAINLESS

FUNCTION - WALL PENETRATION SLEEVE PROVIDE A CORROSION-RESISTANT SEALING SURFACE FOR OR ANY CONCRETE BARRIER. 2" WATER-STOP TO BOTH STABILITY AND PROTECTION AGAINST MOISTURE PENETRATING THE WALL.

FINISH - PLAIN, ELECTRO-GALVANIZED AND HDG

ORDER BY - FIGURE NUMBER, PIPE SIZE AND LENGTH



SLEEVE SIZE	O.D.	I.D.
2	2-3/8	2
2-1/2	2-7/8	2-1/2
3	3-1/2	3
3-1/2	4	3-1/2
4	4-1/2	4
5	5-5/16	5
6	6-5/8	6
8	8-5/8	8
10	10-3/4	10
12	12-3/4	12
14	14	13-1/4
16	16	15-1/4
18	18	17-1/4
20	20	19-1/4
22	22	21-1/4
24	24	23-1/4
26	26	25-1/4
28	28	27-1/4
30	30	29-1/4
32	32	31-1/4
34	34	33-1/4
36	36	35-1/4
38	38	37-1/4
40	40	39-1/4
42	42	41-1/4
44	44	43-1/4
46	46	45-1/4
48	48	47-1/4
50	50	49-1/4
52	52	51-1/4