



## K-500

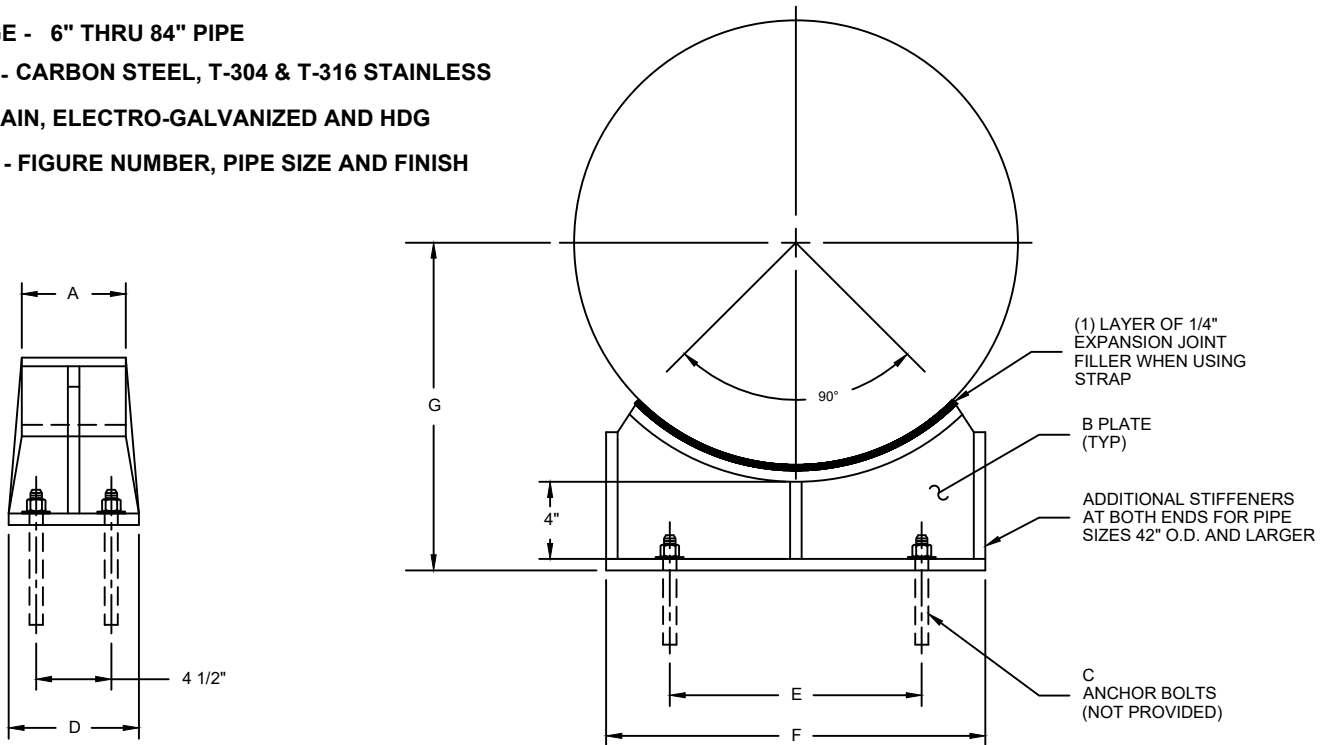
### "K" SADDLE SUPPORT

SIZE RANGE - 6" THRU 84" PIPE

MATERIAL - CARBON STEEL, T-304 & T-316 STAINLESS

FINISH - PLAIN, ELECTRO-GALVANIZED AND HDG

ORDER BY - FIGURE NUMBER, PIPE SIZE AND FINISH



PIPE SIZE	PIPE							FLANGE		
	A	B	C	D	E	F	G	E	F	G
6	4	3/8	5/8	6	4-1/2	8	8-5/16	6-1/2	11	10-1/2
8	4	3/8	5/8	6	5	9-1/2	9-5/16	7-1/2	13	11-3/4
10	4	3/8	5/8	6	6	11	10-3/8	9	15	13
12	4	3/8	5/8	6	7	13	11-3/8	10	17	14-1/2
14	4	3/8	5/8	6	8	13	12	11	18	15-1/2
16	4	3/8	5/8	6	9	15	13	12	20	16-3/4
18	4	3/8	5/8	6	10	16	14	13	21	17-1/2
20	5	3/8	5/8	6	10	18	15	15	23	18-3/4
24	5	3/8	5/8	6	13	21	17	16	26	21
30	5	3/8	3/4	7	16	25	20	20	31	24-3/8
36	6	3/8	3/4	7	19	29	23	24	36	28
42	6	1/2	1	8	21	33	26-1/4	27	41	31-3/4
48	6	1/2	1	8	24	38	29-1/4	30	46	35
54	6	1/2	1	8	28	42	32-1/4	34	50	38-3/8
60	6	1/2	1-1/8	8	32	46	35-1/4	36	56	41-3/4
66	6	1/2	1-1/8	8	33	51	38-1/4	40	61	45-1/4
72	6	1/2	1-1/8	8	36	55	41-1/4	44	65	48-1/2
84	10	3/4	1-1/2	12	48	74	47-3/4	46	68	55-5/8