

# K-431

## PTFE GUIDED SLIDE PLATE

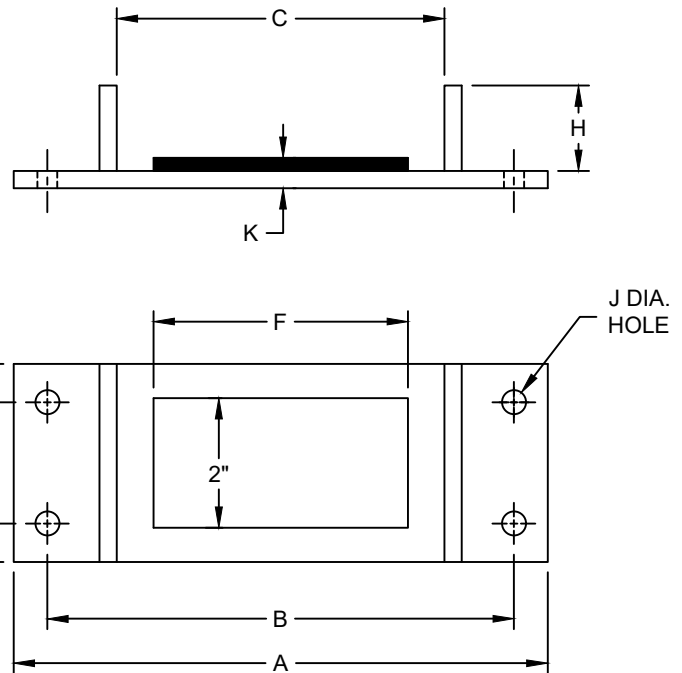
**MATERIAL - CARBON STEEL, T-304 & T-316 STAINLESS**

**FUNCTION - SUPPORTS PIPE SLIDE WHERE ONLY HORIZONTAL MOVEMENT IN ONE PLATE IS DESIRED AND PIPE MAY HAVE A TENDENCY TO BUCKLE OR ROTATE. SLIDE PLATES MUST BE ATTACHED TO SUPPORTING BEAM OR STRUCTURE BY BOLTING OR TACK WELDING. THEY ARE NOT STRUCTURAL MEMBERS. USE ONLY WITH PTFE SLIDES.**

**FINISH - PLAIN, ELECTRO-GALVANIZED AND HDG**

**ORDER BY - FIGURE NUMBER, TYPE AND SIZE**

**INDICATE IF BOLT HOLES ARE REQUIRED**



SIZE	SLIDE WIDTH	A	B	C	D	E	F	H	J	K	APPROX. WEIGHT
A	2-3/4	5	4-1/4	2-7/8	3	2-1/4	2	1-3/16	5/16	7/16	1
B	3	5	4-1/4	3-1/8	3	2-1/4	2	1-3/16	5/16	7/16	2
C	4	7	6	4-1/8	4	3	3	1-3/4	7/16	1/2	2
D	6	10	8-1/2	6-1/4	6	4-1/2	6	1-7/8	9/16	5/8	5
E	6-1/2	10	8-1/2	6-3/4	6	4-1/2	6-1/2	1-7/8	9/16	5/8	6
F	7	12	10-1/2	7-1/4	6	4-1/2	7	1-7/8	9/16	5/8	7
G	8	12	10-1/2	8-1/4	6	4-1/2	8	1-7/8	9/16	5/8	2
H	9	14	12-1/2	9-1/4	6	4-1/2	9	1-7/8	9/16	5/8	3
J	10	14	12-1/2	10-1/4	6	4-1/2	10	1-7/8	9/16	5/8	6
K	12	15	14	12-1/4	6	4-1/2	10	1-7/8	9/16	5/8	9
L	13	16	15	13-1/4	6	4-1/2	10	2-1/8	9/16	5/8	11
M	14	17	16	14-1/4	6	4-1/2	10	2-1/8	11/16	5/8	17
N	16	21	19	16-1/4	8	6	12	2-1/4	11/16	3/4	17
P	18	23	21	18-1/4	8	6	14	2-1/4	11/16	3/4	17