

## K-429

### H-PIPE SLIDE PTFE

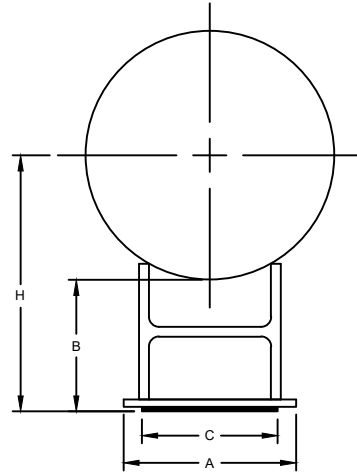
**SIZE RANGE - 6" THRU 36" PIPE SIZE**

**MATERIAL - CARBON STEEL, T-304 & T-316 STAINLESS**

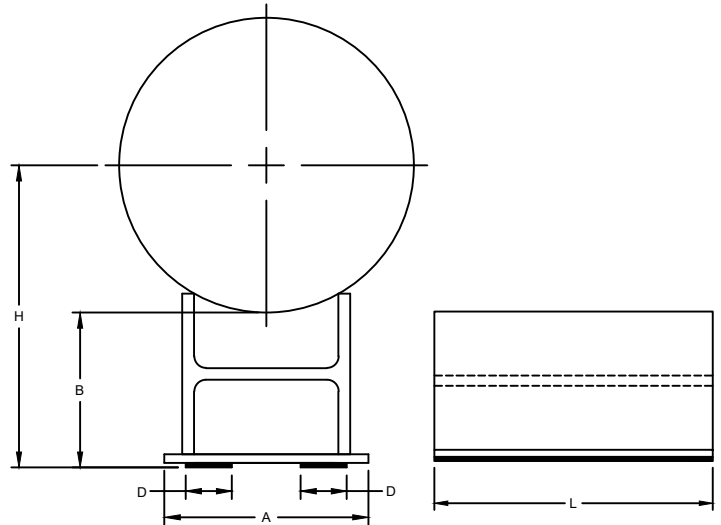
**FUNCTION - A HEAVY DUTY PIPE SLIDE SUPPORT FOR LARGER PIPES WITH HEAVY LOADS AT MAXIMUM SPANS AND WHERE MOVEMENT IS LATERAL AS WELL AS AXIAL.**

**FINISH - PLAIN, ELECTRO-GALVANIZED AND HDG**

**ORDER BY - FIGURE NUMBER, PIPE SIZE AND FINISH**



6" THRU 12" PIPE SIZE



14" THRU 36" PIPE SIZE

PIPE SIZE	A	B	C	D	H	L	MAX. TRAVEL	MAX. LOAD	APPROX. WEIGHT PER 100
6	6	4-1/2	3	-	7-5/16	6	7	12000	1500
8	6	4-1/2	3	-	8-7/16	6	7	12000	1500
10	8	4-1/2	4	-	9-1/8	9	7	16000	1300
12	8	4-1/2	4	-	10-1/4	9	7	16000	1300
14	10	4-1/2	-	2	10-7/16	9	7	16000	1500
16	10	4-1/2	-	2	11-9/16	9	7	16000	1500
18	12	4-5/8	-	2	12-1/4	9	7	16000	2200
20	12	4-5/8	-	2	13-7/16	9	7	16000	2200
24	14	4-3/4	-	3	15-5/16	12	10	24000	4100
30	16	5-3/4	-	3	19-1/4	12	10	24000	5200
36	18	6-1/4	-	3	22-5/8	12	10	24000	5900