

K-428

U-PIPE SLIDE PTFE

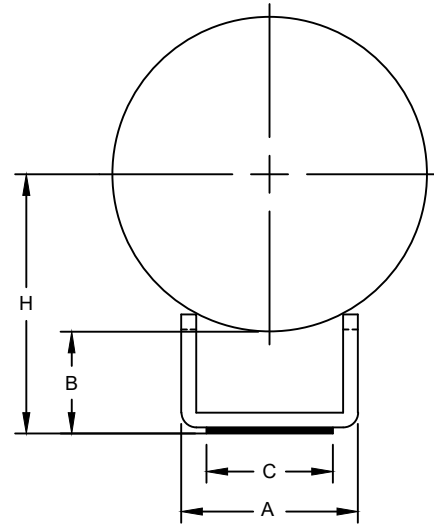
SIZE RANGE - 6" THRU 36" PIPE SIZE

MATERIAL - CARBON STEEL, T-304 & T-316 STAINLESS

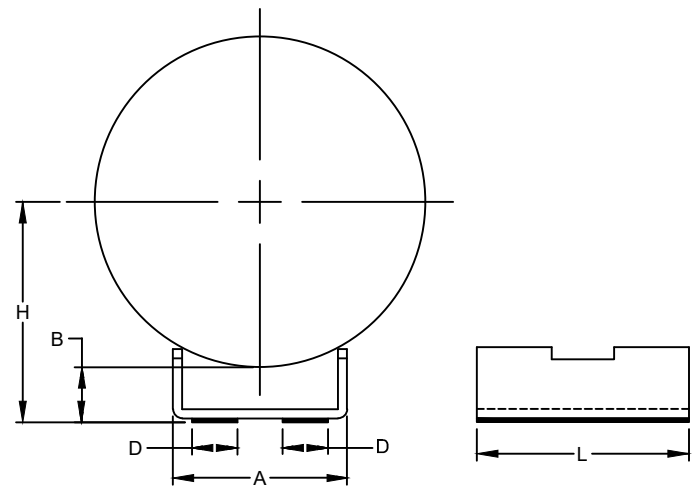
FUNCTION - TO PROVIDE A SUPPORT WITH A LOW CENTER OF GRAVITY FOR GREATER STABILITY ON ALL SIZES OF PIPE WITH BI-DIRECTIONAL MOVEMENTS. RECOMMENDED FOR USE WHERE CONCENTRATED AND ECCENTRIC LOADS TO ROTATE THE PIPE.

FINISH - PLAIN, ELECTRO-GALVANIZED AND HDG

ORDER BY - FIGURE NUMBER AND PIPE SIZE



6" THRU 12" PIPE SIZE



6" THRU 12" PIPE SIZE

PIPE SIZE	A	B	C	D	H	L	MAX. TRAVEL	MAX. LOAD	APPROX. WEIGHT PER 100
6	4	3-1/4	2-1/2	-	6	6	4	7000	3
8	4	3-1/4	2-1/2	-	7-13/16	6	4	7000	3
10	6	3-3/4	-	1-1/2	8-1/4	9	7	12000	13
12	6	3-3/4	-	1-1/2	9-3/8	9	7	12000	13
14	7	3-3/4	-	1-1/2	9-3/4	9	7	12000	14
16	7	3-3/4	-	1-1/2	10-7/8	9	7	12000	14
18	9	3-3/4	-	2	11-9/16	9	7	16000	17
20	9	3-3/4	-	2	12-11/16	9	7	16000	17
24	12	4	-	3	14-5/8	12	10	24000	34
30	13	4-1/4	-	3	17-3/4	12	10	24000	31
36	18	4-1/4	-	4	19-7/8	12	10	24000	48