

K-427G

T-PIPE SLIDE WITH GUSSETS

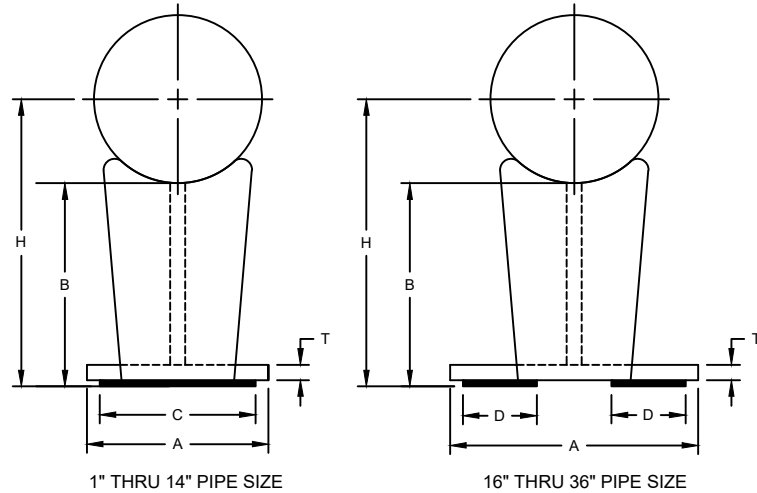
SIZE RANGE - 1" THRU 36" PIPE

MATERIAL - CARBON STEEL, T-304 & T-316 STAINLESS STEEL

FUNCTION - AN ECONOMICAL SLIDING SUPPORT FOR ALL PIPE SIZES SUBJECT TO MOVEMENT IN TO TWO PLANES. DESIGNED FROM MINIMUM HEAT LOSS TRANSMISSION THROUGH THE SHOE. CAN BE WELDED OR CLAMPED TO THE PIPE. USE ONLY WITH PTFE SLIDE PLATE

FINISH - PLAIN, ELECTRO-GALVANIZED AND HDG

ORDER BY - FIGURE NUMBER, PIPE SIZE AND FINISH



TYPE 1 (2" INSULATION) MAX. 4" TRAVEL

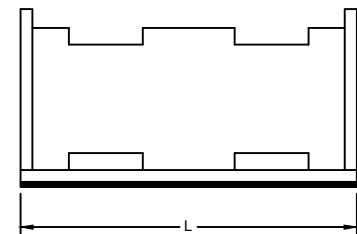
PIPE SIZE	A	B	C	D	E	L	T	MAX LOAD	APPROX. WEIGHT EACH
1-4	2-1/2	2-3/4	1-1/2	-	3	6	1/4	6000	2
5-8	3	3-1/4	2	-	3	6	5/16	8000	3
10-14	4	3-1/4	3	-	3	6	1/4	12000	3
16-20	6	3-1/4	-	2	3	6	1/4	16000	5
24-30	6	3-1/4	-	2	3	6	1/4	16000	5

TYPE 2 (3" INSULATION) MAX. 6" TRAVEL

PIPE SIZE	A	B	C	D	E	L	T	MAX LOAD	APPROX. WEIGHT EACH
1-4	2-11/16	4-1/4	1-1/2	-	4	9	3/16	6000	4
5-8	4	4-1/4	2-1/2	-	4	9	1/4	10000	5
10-14	4	4-1/4	3	-	4	9	1/4	12000	6
16-20	6-1/2	4-1/4	-	2	4	9	1/4	16000	10
24-30	6-1/2	4-1/4	-	2	4	9	1/4	16000	10
36	8	4-1/4	-	2	4	9	3/8	16000	13

TYPE 3 (4" INSULATION) MAX. 9" TRAVEL

PIPE SIZE	A	B	C	D	E	L	T	MAX LOAD	APPROX. WEIGHT EACH
1-4	2-11/16	5-1/4	1-1/2	-	6	9	3/16	6000	5
5-8	4	5-1/4	2-1/2	-	6	9	1/4	10000	8
10-14	4	5-1/4	3	-	6	9	1/4	12000	8
16-20	6-1/2	6-1/4	-	2	6	9	1/4	16000	15
24-30	6-1/2	6-1/4	-	2	6	9	1/4	16000	15
	8	6-1/4	-	2	6	9	3/8	16000	21



H DIMENSIONS

PIPE SIZE	TYPE 1	TYPE 2	TYPE 3
1	3-3/8	4-7/8	5-7/8
1-1/4	3-9/16	5-1/16	6-1/16
1-1/2	3-11/16	5-3/16	6-3/16
2	3-15/16	5-7/16	6-7/16
2-1/2	4-3/16	5-11/16	6-11/16
3	4-1/2	6	7
3-1/2	4-3/4	6-1/4	7-1/4
4	5	6-1/2	7-1/2
5	6	7	8
6	6-9/16	7-9/16	8-9/16
8	7-9/16	8-9/16	9-9/16
10	8-5/8	9-5/8	10-5/8
12	9-5/8	10-5/8	11-5/8
14	10-1/4	11-1/4	12-1/4
16	11-1/4	12-1/4	14-1/4
18	12-1/4	13-1/4	15-1/4
20	13-1/4	14-1/4	16-1/4
24	15-1/4	16-1/4	18-1/4
30	18-1/4	19-1/4	21-1/4
36	-	22-1/4	24-1/4