



K-427C

T-PIPE SLIDE WITH CLAMPS

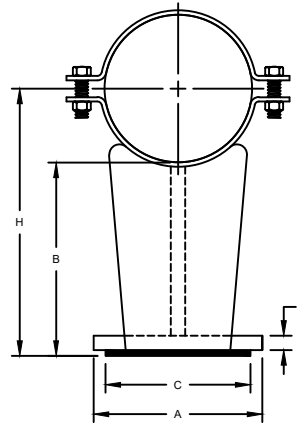
SIZE RANGE - 1" THRU 36" PIPE

MATERIAL - CARBON STEEL, T-304 & T-316 STAINLESS STEEL

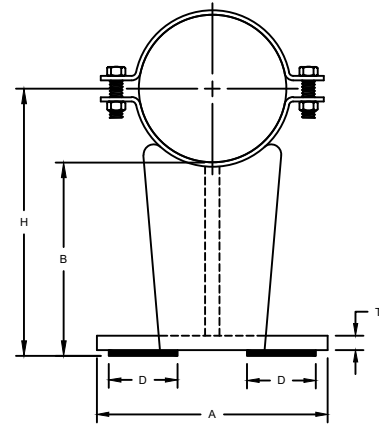
FUNCTION - AN ECONOMICAL SLIDING SUPPORT FOR ALL PIPE SIZES SUBJECT TO MOVEMENT IN TO TWO PLANES. DESIGNED FROM MINIMUM HEAT LOSS TRANSMISSION THROUGH THE SHOE. CAN BE WELDED OR CLAMPED TO THE PIPE. USE ONLY WITH PTFE SLIDE PLATE

FINISH - PLAIN, ELECTRO-GALVANIZED AND HDG

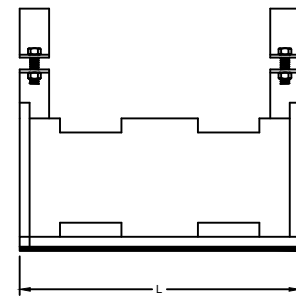
ORDER BY - FIGURE NUMBER, PIPE SIZE AND FINISH



1" THRU 14" PIPE SIZE



16" THRU 36" PIPE SIZE



TYPE 1 (2" INSULATION) MAX. 4" TRAVEL

PIPE SIZE	A	B	C	D	E	L	T	MAX LOAD	APPROX. WEIGHT EACH
1-4	2-1/2	2-3/4	1-1/2	-	3	6	1/4	6000	2
5-8	3	3-1/4	2	-	3	6	5/16	8000	3
10-14	4	3-1/4	3	-	3	6	1/4	12000	3
16-20	6	3-1/4	-	2	3	6	1/4	16000	5
24-30	6	3-1/4	-	2	3	6	1/4	16000	5

TYPE 2 (3" INSULATION) MAX. 6" TRAVEL

PIPE SIZE	A	B	C	D	E	L	T	MAX LOAD	APPROX. WEIGHT EACH
1-4	2-11/16	4-1/4	1-1/2	-	4	9	3/16	6000	4
5-8	4	4-1/4	2-1/2	-	4	9	1/4	10000	5
10-14	4	4-1/4	3	-	4	9	1/4	12000	6
16-20	6-1/2	4-1/4	-	2	4	9	1/4	16000	10
24-30	6-1/2	4-1/4	-	2	4	9	1/4	16000	10
	8	4-1/4	-	2	4	9	3/8	16000	13

TYPE 3 (4" INSULATION) MAX. 9" TRAVEL

PIPE SIZE	A	B	C	D	E	L	T	MAX LOAD	APPROX. WEIGHT EACH
1-4	2-11/16	5-1/4	1-1/2	-	6	9	3/16	6000	5
5-8	4	5-1/4	2-1/2	-	6	9	1/4	10000	8
10-14	4	5-1/4	3	-	6	9	1/4	12000	8
16-20	6-1/2	6-1/4	-	2	6	9	1/4	16000	15
24-30	6-1/2	6-1/4	-	2	6	9	1/4	16000	15
36	8	6-1/4	-	2	6	9	3/8	16000	21

H DIMENSIONS

PIPE SIZE	TYPE 1	TYPE 2	TYPE 3
1	3-3/8	4-7/8	5-7/8
1-1/4	3-9/16	5-1/16	6-1/16
1-1/2	3-11/16	5-3/16	6-3/16
2	3-15/16	5-7/16	6-7/16
2-1/2	4-3/16	5-11/16	6-11/16
3	4-1/2	6	7
3-1/2	4-3/4	6-1/4	7-1/4
4	5	6-1/2	7-1/2
5	6	7	8
6	6-9/16	7-9/16	8-9/16
8	7-9/16	8-9/16	9-9/16
10	8-5/8	9-5/8	10-5/8
12	9-5/8	10-5/8	11-5/8
14	10-1/4	11-1/4	12-1/4
16	11-1/4	12-1/4	14-1/4
18	12-1/4	13-1/4	15-1/4
20	13-1/4	14-1/4	16-1/4
24	15-1/4	16-1/4	18-1/4
30	18-1/4	19-1/4	21-1/4
36	-	22-1/4	24-1/4