

K-426C

T-PIPE ANCHOR WITH CLAMPS

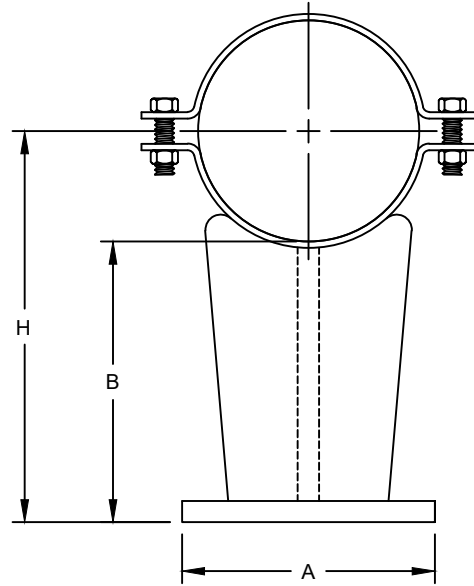
SIZE RANGE - 2" THRU 24" PIPE SIZE

MATERIAL - CARBON STEEL, T-304 & T-316 STAINLESS

FUNCTION - DESIGNED TO ANCHOR PIPE AND RESTRICT PIPE MOVEMENT IN EVERY DIRECTION. THE PIPE IS NORMALLY WELDED DIRECTLY TO THE ANCHOR AND THE ANCHOR CHAIR IS EITHER BOLTED OR WELDED TO THE SUPPORTING STEELS STRUCTURE.

FINISH - PLAIN, ELECTRO-GALVANIZED AND HDG

ORDER BY - FIGURE NUMBER AND SIZE



PIPE SIZE	A	B	H	APPROX. WEIGHT PER 100
2	4	4	5-3/16	8
2-1/2	4	4	5-7/16	8
3	4	4	5-3/4	8
3-1/2	4	4	6	8
4	4	4	6-1/4	8
5	4	4	6-13/16	8
6	4	4	7-5/16	10
8	4	4	8-5/16	10
10	4	4	9-3/8	10
12	4	4	10-3/8	10
14	4	4	11	11
16	4	4	12	11
18	7	4	13	18
20	7	4	14	19
24	7	4	16	20

