

## K-422C

### COPPER TUBING LIGHT WEIGHT PIPE ALIGNMENT GUIDE

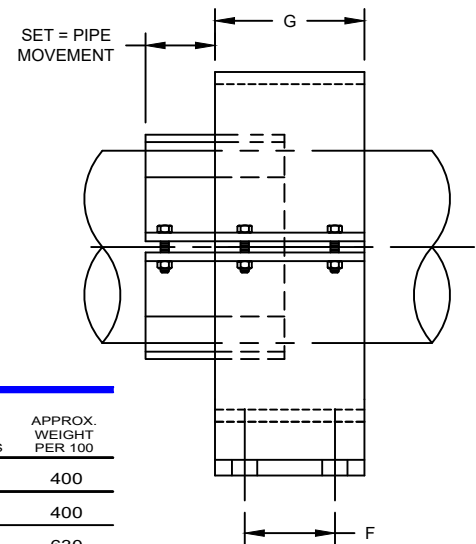
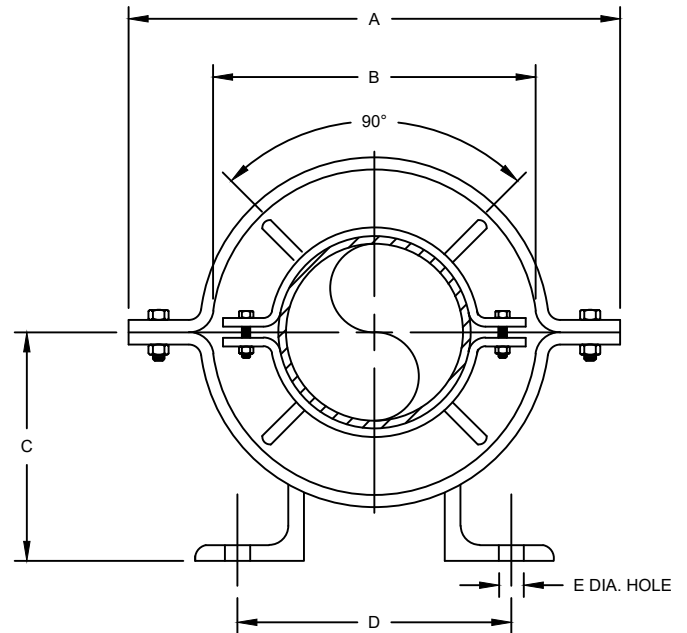
SIZE RANGE - 3/4" THRU 6" PIPE SIZE

MATERIAL - CARBON STEEL, T-304 & T-316 STAINLESS

FUNCTION - TO MAINTAIN ALIGNMENT OF PIPING THROUGH  
IT'S AXIAL EXPANSION AND CONTRACTION CYCLES.

FINISH - PLAIN, ELECTRO-GALVANIZED AND HDG

ORDER BY - FIGURE NUMBER, STANDARD PIPE SIZE, AND  
INSULATION THICKNESS. IF OTHER THAN STANDARD PIPE  
IS USED, SPECIFY TYPE AND O.D.



PIPE SIZE	PIPE O.D.	A	B	C	D	E	G	MAX. INSUL. THICKNESS	APPROX. WEIGHT PER 100
3/4	7/8	6-5/8	4-3/8	3-1/8	5	5/8	3	1-5/8	400
1	1-1/8	6-5/8	4-3/8	3-1/8	5	5/8	3	1-5/8	400
1-1/4	1-3/8	8-1/2	6-1/4	3-1/2	6-1/4	5/8	3	1-5/8	630
1-1/2	1-5/8	8-1/2	6-1/4	3-1/2	6-1/4	5/8	3	1-5/8	630
2	2-1/8	8-1/2	6-1/4	3-1/2	6-1/4	5/8	3	1-5/8	630
2-1/2	2-5/8	9-1/2	7-1/4	4	6-3/4	5/8	3	2-1/8	760
3	3-1/8	11-3/4	9-1/2	5	7-3/8	5/8	3	2-1/8	1260
3-1/2	3-5/8	11-3/4	9-1/2	5	7-3/8	5/8	3	2-1/8	1260
4	4-1/8	11-3/4	9-1/2	5	7-3/8	5/8	3	2-1/8	1260
5	5-1/8	11-3/4	9-1/2	5	7-3/8	5/8	3	2-1/8	1260
6	6-1/8	13-5/8	10-5/8	6-1/4	7-3/8	5/8	4	2-1/8	1920