



K-405

ANCHOR HOLD DOWN CLAMP

SIZE RANGE - 2" THRU 30" PIPE

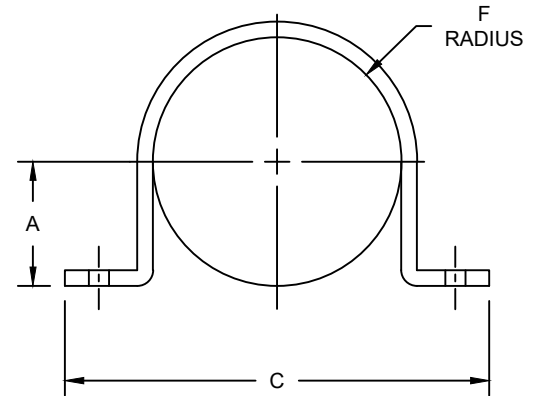
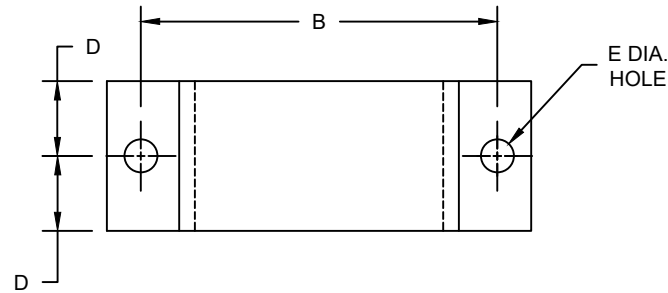
MATERIAL - CARBON STEEL, T-304 & T-316 STAINLESS

FUNCTION - DESIGNED FOR USE WHERE PIPE IS ANCHORED TO CONCRETE PIERS OR OTHER SUPPORTS
K-406 BASE PLATE IS RECOMMENDED FOR USE ON ROUGH OR UNEVEN SURFACES.

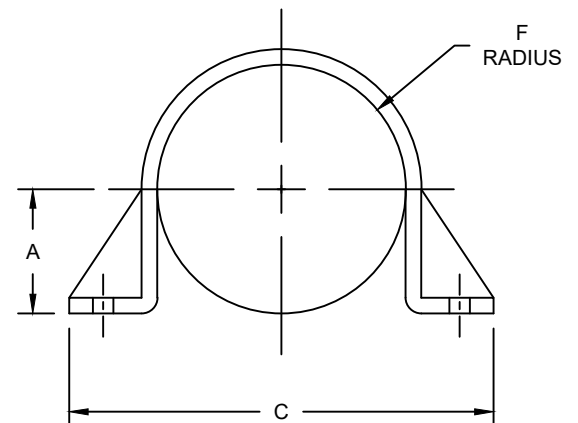
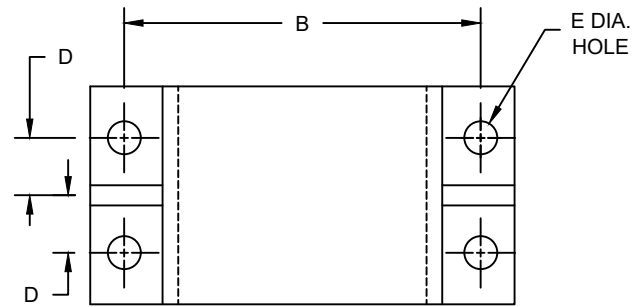
FINISH - PLAIN, ELECTRO-GALVANIZED AND HDG

ORDER BY - FIGURE NUMBER, PIPE SIZE AND FINISH

PIPE SIZE	A	B	C	D	E HOLE SIZE	F	APPROX. WEIGHT PER 100
2	15/16	5-3/8	7-5/8	1-1/2	7/8	1-3/16	306
2-1/2	1-3/16	5-7/8	8-1/8	1-1/2	7/8	1-7/16	348
3	1-1/2	6-1/2	8-3/4	1-1/2	7/8	1-3/4	409
3-1/2	1-3/4	7	9-1/4	1-1/2	7/8	2	449
4	2	7-1/2	9-3/4	1-1/2	7/8	2-1/4	491
5	2-9/16	8-9/16	10-13/16	1-1/2	7/8	2-13/16	581
6	3-1/16	10-5/8	13-5/8	3	1	3-5/16	1818
8	4-1/16	12-5/8	15-5/8	3	1	4-5/16	2400
10	5-1/8	15-1/4	18-3/4	2-1/2	1-1/8	5-3/8	3786
12	6-1/8	17-1/4	20-3/4	2-1/2	1-1/8	6-3/8	4546
14	6-3/4	18-1/2	22	3	1-1/8	7	6800
16	7-3/4	20-1/2	24	3	1-1/8	8	7600
18	8-3/4	22-1/2	26	3-1/2	1-1/8	9	10800
20	9-3/4	24-1/2	28	3-1/2	1-1/8	10	12000
24	11-3/4	28-1/2	32	3-1/2	1-1/8	12	13900
30	14-3/4	34-1/2	38	3-1/2	1-1/8	15	16200



2" THRU 8" PIPE SIZE



10" THRU 30" PIPE SIZE