

## K-332

### BRIDGE CLEVIS

**SIZE RANGE - 3/8" THRU 4" ROD SIZE**

**MATERIAL - CARBON STEEL, T-304 & T-316 STAINLESS**

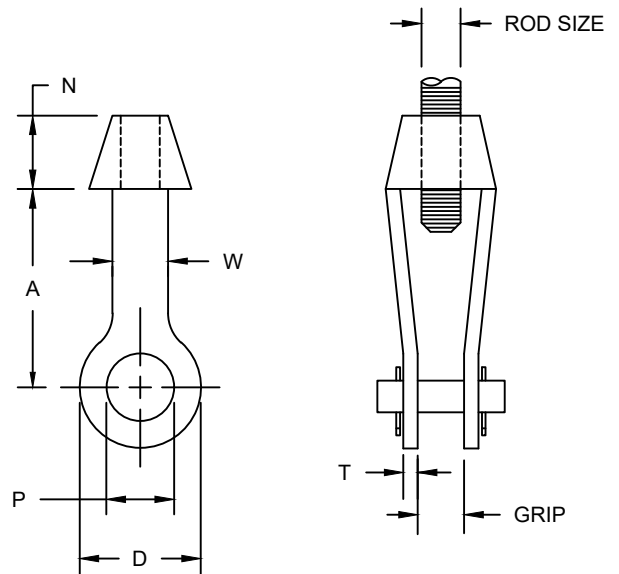
**FUNCTION - FOR USE ON HIGH TEMPERATURE PIPING**

**FEATURES - SUPPORTS LOADS EQUAL TO THE FULL LIMITATION OF THE HANGER ROD.**

**AVAILABLE WITH PIN AND COTTER, IF REQUIRED**

**FINISH - PLAIN, ELECTRO-GALVANIZED AND HDG**

**ORDER BY - FIGURE NUMBER, ROD SIZE AND FINISH**



SIZE NUMBER	TAP SIZE	A	D	N	PIN SIZE		T	W	GRIP	MAX. REC. LOADS** FOR SERVICE TEMPS		APPROX. WEIGHT PER EA.	
					P					650° F	750° F	W/O PIN	W/ PIN
2	3/8	3-11/16	1-7/16	5/8	1/2		5/16	1-1/16	1/2	610	540	.90	1.00
2	1/2	3-11/16	1-7/16	5/8	5/8		5/16	1-1/16	1/2	1130	1010	.70	.90
2	5/8	3-11/16	1-7/16	5/8	3/4		5/16	1-1/16	5/8	1810	1610	.70	.90
2-1/2	3/4	5	2	7/8	7/8		3/8	1-1/4	3/4	2710	2420	2.50	3.00
2-1/2	7/8	5	2	7/8	1		3/8	1-1/4	7/8	3770	3360	2.50	3.40
3	1	5	3	1-5/16	1-1/8		1/2	1-1/2	1	4960	4420	4.00	5.10
3	1-1/4	5	3	1-5/16	1-3/8		1/2	1-1/2	1-1/4	8000	7140	3.80	5.50
3-1/2	1-1/2	6	3-1/2	1-5/8	1-5/8		1/2	1-3/4	1-1/2	11630	10370	6.00	8.50
4	1-3/4	6	4	1-3/4	1-7/8		1/2	2	1-1/2	15700	14000	8.00	12.90
5	2	7	5	2-1/4	2-1/4		5/8	2-1/2	2-1/2	20700	18460	16.00	23.30
6	2-1/4	8	6	2-3/4	2-1/2		3/4	3	2-1/2	27200	24260	26.00	35.10
6	2-1/2	8	6	2-3/4	2-3/4		3/4	3	2-1/2	33500	29880	25.50	36.00
7	2-3/4	9	7	3	3		7/8	3-1/2	2-1/2	41580	37066	36.00	50.00
7	3	9	7	3	3-1/4		7/8	3-1/2	2-1/2	50580	45085	35.00	51.50
8	3-1/4	10	8	4	3-1/2		1-1/2	4	4	60480	53906	90.00	116.00
8	3-1/2	10	8	4	3-3/4		1-1/2	4	4	71280	63493	88.00	118.00
8	3-3/4	10	8	4	4		1-1/2	4	4	82890	73855	86.00	120.00
8	4	10	8	4	4-1/4		1-1/2	4	4	95400	85001	84.00	122.00