

## K-328

### ADJUSTABLE PIPE ROLL STAND

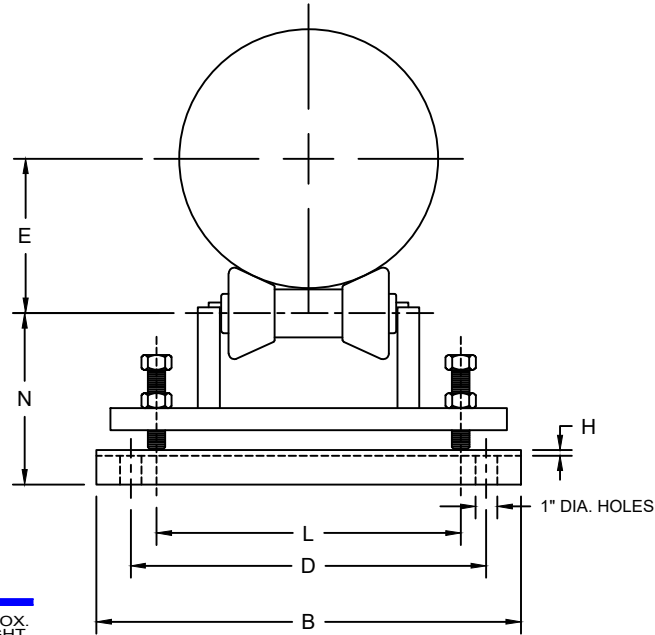
SIZE RANGE - 2" THRU 30" PIPE SIZE

MATERIAL - CARBON STEEL, T-304 & T-316 STAINLESS

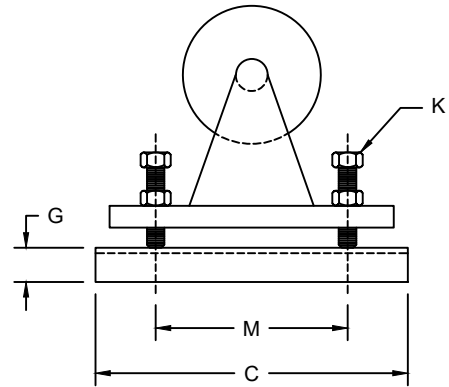
FUNCTION - DESIGNED FOR USE ON LINES SUBJECT TO LONGITUDINAL MOVEMENT.

FINISH - PLAIN, ELECTRO-GALVANIZED AND HDG

ORDER BY - FIGURE NUMBER, PIPE SIZE AND FINISH



PIPE SIZE	B	C	D	E	G	H	MAX REC. LOAD LBS.	APPROX. WEIGHT PER 100
2	6-7/8	5-1/2	3-7/8	1-1/2	1-7/8	1/2	390	570
2 1/2	6-7/8	5-1/2	3-7/8	1-3/4	1-7/8	1/2	390	570
3	6-7/8	5-1/2	3-7/8	2-1/8	1-7/8	1/2	390	570
4	8-1/8	5-3/4	5-1/8	3-3/4	2-1/8	1/2	950	760
5	8-1/8	5-3/4	5-1/8	3-3/4	2-1/8	1/2	950	760
6	8-1/8	5-3/4	5-1/8	3-3/4	2-1/8	1/2	950	760
8	10-5/8	6-3/4	7-3/8	6-1/8	3-1/4	3/4	2100	1330
10	10-5/8	6-3/4	7-3/8	6-1/8	3-1/4	3/4	2100	1330
12	13	8	9-1/2	8	4	7/8	3075	2375
14	13	8	9-1/2	8	4	7/8	3075	2375
16	14-5/8	8-5/8	11-1/8	9-1/8	4-1/2	1-1/8	4980	3420
18	14-5/8	8-5/8	11-1/8	9-1/8	4-1/2	1-1/8	4980	3420
20	14-5/8	8-5/8	11-1/8	9-1/8	4-1/2	1-1/8	4980	3420
24	15-3/4	8-5/8	12-1/4	10	4-1/2	1-1/4	6100	4275
30	19-1/4	10-1/2	15-3/4	12-1/2	5-1/2	1-3/4	7500	8550



PIPE SIZE	J	K	M	N	O	P	S
2-3	6-1/2	1	1/4	2	7/16	3-1/2	4-1/8
4-6	8	1	1/4	2-3/8	9/16	4-3/4	4-1/4
8-10	4	1	3/8	3-3/4	5/8	7	5
12-14	5-3/4	1	3/8	3-3/4	9/16	9-1/4	6
16-20	6-3/4	1	1/2	4-5/8	3/4	10-1/4	6-1/2
22-24	7-1/2	1	5/8	4-3/4	13/16	11-1/2	6-3/4
26-30	10	1	5/8	5-5/8	1	14-3/8	8