

KUMAR

PIPE HANGERS & SUPPORT SYSTEMS

K-326

ADJUSTABLE TWO ROD PIPE ROLLER

SIZE RANGE - 1" THRU 36" PIPE SIZE

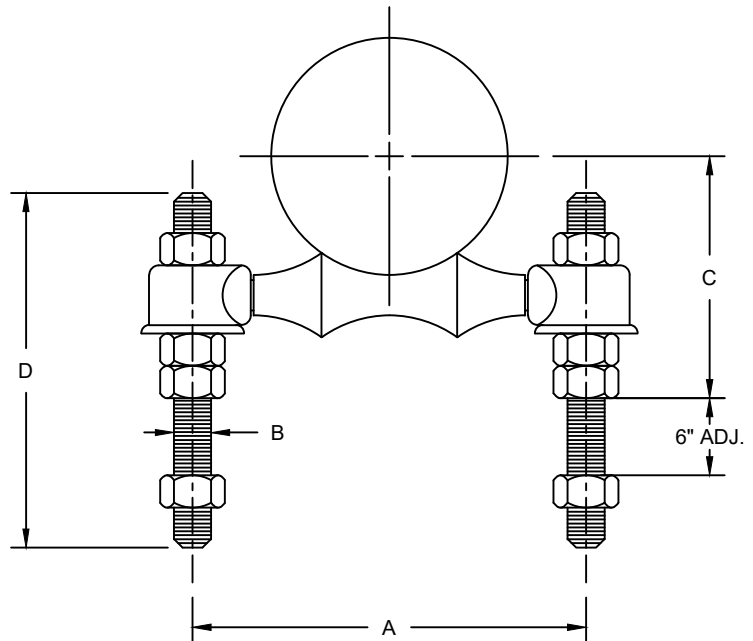
MATERIAL - CARBON STEEL, T-304 & T-316 STAINLESS

FUNCTION - SUPPORT FOR PIPING WHERE EXPANSION MAY OCCUR DUE TO THERMAL MOVEMENT. USED WHERE ADJUSTMENT UP TO 6" ARE REQUIRED.

FINISH - PLAIN, ELECTRO-GALVANIZED AND HDG

ORDER BY - FIGURE NUMBER, PIPE SIZE AND FINISH

NOTE: WHEN PIPE LINE IS INSULATED, TOTAL OUTSIDE DIAMETER OF PIPE AND COVERING SHOULD BE USED TO DETERMINE SIZE OF HANGER: ALSO SEE K-260-1 TO K-265-4



PIPE SIZE	A	B ROD SIZE	C	D	MAX REC. LOAD LBS.	APPROX. WEIGHT PER 100
1	3-1/8	3/8	2-5/16	9	600	100
1-1/4	3-7/16	3/8	2-1/2	9	600	101
1-1/2	3-5/8	3/8	2-5/8	9	600	104
2	4-1/16	3/8	2-13/16	9	600	112
2 1/2	4-7/8	1/2	3-1/2	10	660	236
3	5-1/2	1/2	3-13/16	10	700	246
3 1/2	6	1/2	4-3/16	10	750	259
4	6-7/8	5/8	4-7/8	11	750	451
5	8	5/8	5-7/16	11	750	486
6	9-5/8	3/4	6-5/16	12	1070	795
8	11-13/16	7/8	7-15/16	13	1350	1182
10	14	7/8	9-3/16	13	1730	1562
12	16	7/8	10-7/16	13	2400	2312
14	18	1	11-13/16	15	3130	3091
16	20-1/4	1-1/4	13-5/16	15-1/2	3970	4102
18	22-1/2	1-1/4	14-3/8	15-1/2	4200	4902
20	25	1-1/4	15-7/8	16-1/2	4550	7480
24	28-5/8	1-1/2	18-5/16	16-1/2	6160	8572
30	33-1/2	1-1/2	23-1/8	21	7290	16396
36	42-1/2	2	26-11/16	21	11000	35084

PRODUCTS WITH INTEGRITY