



K-323

ADJUSTABLE SUPPORT ROLLER

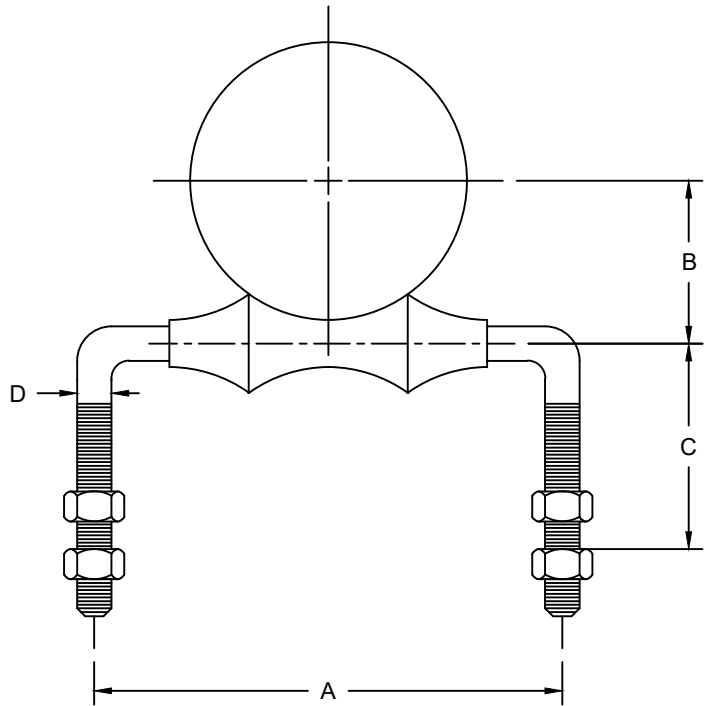
SIZE RANGE - 2" THRU 10" PIPE SIZE

MATERIAL - CARBON STEEL, T-304 & T-316 STAINLESS

FUNCTION - SUPPORT FOR PIPING WHERE EXPANSION MAY OCCUR DUE TO THERMAL MOVEMENT. USED WHEN CEILING SUPPORT IS IMPRACTICAL.

FINISH - PLAIN, ELECTRO-GALVANIZED AND HDG

ORDER BY - FIGURE NUMBER, PIPE SIZE AND FINISH



PIPE SIZE	A	B	C	D ROD SIZE	MAX. ADJ.	MAX REC. LOAD LBS.	APPROX. WEIGHT PER 100
2	4-1/4	1-9/16	3-3/4	3/8	1-3/4	450	65
2 1/2	4-1/2	1-7/8	4-1/8	1/2	2-1/4	500	130
3	5-3/8	2-3/16	4-1/8	1/2	2-1/4	520	147
3 1/2	5-3/4	2-1/2	4-1/8	1/2	2-1/4	560	159
4	6-5/8	2-15/16	5-3/8	1/2	3	560	240
5	7-3/4	3-7/16	5-3/8	5/8	3	560	305
6	8-5/8	4-1/16	6-1/8	3/4	3-1/2	800	465
8	11-1/4	5-1/8	7-1/8	7/8	4	1010	712
10	13-1/2	6-3/8	7-1/8	7/8	4	1290	955