

# K-265

## PIPE COVERING PROTECTION SADDLE - 4" INSULATION

SIZE RANGE - 4" THRU 36" PIPE

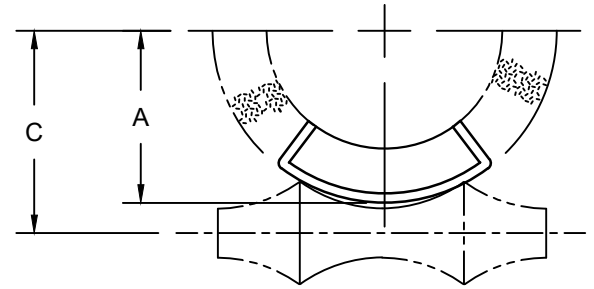
MATERIAL - CARBON STEEL, T-304 & T-316 STAINLESS

FUNCTION - DESIGNED TO PROVIDE BEARING SURFACE, FOR SUPPORT, OUTSIDE OF THE INSULATION, THUS PREVENTING DAMAGE. NOTCHES ARE PROVIDED TO MINIMIZE SADDLE CONTACT WITH PIPE AND PREVENT HEAT LOSS.

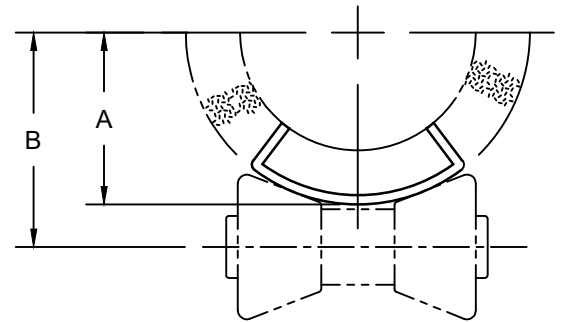
NOTE - ALL SADDLES ARE 12" LONG AND COVER 60 DEGREES OF CIRCUMFERENCE OF THE PIPE.

FINISH - PLAIN, ELECTRO-GALVANIZED AND HDG

ORDER BY - FIGURE NUMBER, PIPE SIZE AND FINISH



LONG PATTERN ROLLER



SHORT PATTERN ROLLER

PIPE SIZE	A	B	C	ACTUAL INSULATION THICKNESS	USE K-324	WITH K-321	ROLLER K-320	MAX. REC. LOAD LBS.
4	6-5/8	7-3/4	7-9/16	4-3/16	12	10	8-10	1800
5	7-3/16	8-1/8	8-3/16	4-3/16	14	12	8-10	1800
6	7-11/16	9-1/8	8-7/8	4-3/16	16	14	12-14	1800
8	8-11/16	10-1/8	10	4-3/16	18	16	12-14	1800
10	9-11/16	11-5/16	11-1/16	4-1/8	20	18	16-20	1800
12	10-3/4	12-9/16	12-1/4	4-1/8	-	20	16-20	5000
14	11-3/8	13-1/4	12-7/8	4	-	20	16-20	5000
16	12-5/16	14-3/16	13-3/4	4	-	24	24	7200
18	13-5/16	15-3/16	14-3/4	4	-	24	24	7200
20	14-5/16	16-9/16	15-13/16	4	-	30	30	7200
24	16-5/16	18-7/8	17-13/16	4	-	30	30	7200
30	19-5/16	-	21-5/16	4	-	-	36-42	7200
36	22-5/16	-	24-5/8	4	-	-	36-42	7200