

K-264

PIPE COVERING PROTECTION SADDLE - 3" INSULATION

SIZE RANGE - 1 1/2" THRU 36" PIPE

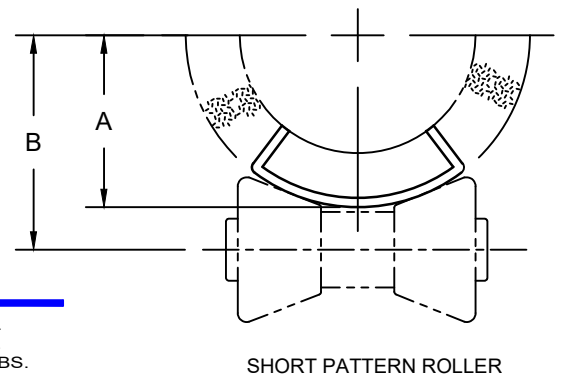
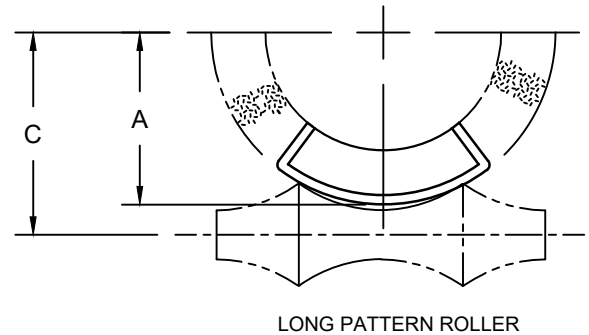
MATERIAL - CARBON STEEL, T-304 & T-316 STAINLESS

FUNCTION - DESIGNED TO PROVIDE BEARING SURFACE, FOR SUPPORT, OUTSIDE OF THE INSULATION, THUS PREVENTING DAMAGE. NOTCHES ARE PROVIDED TO MINIMIZE SADDLE CONTACT WITH PIPE AND PREVENT HEAT LOSS.

NOTE - ALL SADDLES ARE 12" LONG AND COVER 60 DEGREES OF CIRCUMFERENCE OF THE PIPE.

FINISH - PLAIN, ELECTRO-GALVANIZED AND HDG

ORDER BY - FIGURE NUMBER, PIPE SIZE AND FINISH



PIPE SIZE	A	B	C	ACTUAL INSULATION THICKNESS	USE K-324	WITH K-321	MAX. REC. LOAD LBS.
1-1/2	4-1/2	5-3/8	5-5/16	3-5/16	8	8	1800
2	4-3/4	5-3/8	5-9/16	3-5/16	8	8	1800
2-1/2	5	5-7/8	5-13/16	3-5/16	10	8	1800
3	5-5/16	6-1/4	6-1/4	3-1/16	10	8	1800
3-1/2	5-1/2	6-7/16	6-3/8	3-3/8	10	10	1800
4	5-3/4	6-11/16	6-11/16	3-1/8	10	10	1800
5	6-5/16	7-1/4	7-1/4	3-1/8	12	10	1800
6	6-5/8	7-3/4	7-3/4	3-1/16	12	12	1800
8	7-5/8	8-7/8	8-7/8	3-1/8	16	12	1800
10	8-11/16	10-1/8	10-1/16	3-1/8	18	16	1800
12	9-11/16	11-5/16	11-1/16	3-1/8	20	18	5000
14	10-5/16	12	11-3/4	3	20	18	5000
16	11-5/16	13-13/16	12-11/16	3	24	24	7200
18	12-5/16	14-13/16	13-11/16	3	24	24	7200
20	13-5/16	15-5/16	15-7/8	3	-	24	7200
24	15-5/16	17-9/16	16-15/16	3	-	30	7200
30	18-5/16	-	20-5/16	3	-	-	7200
36	21-5/16	-	23-5/16	3	-	-	7200