

# K-263

## PIPE COVERING PROTECTION SADDLE - 2 1/2" INSULATION

**SIZE RANGE - 3/4" THRU 36" PIPE**

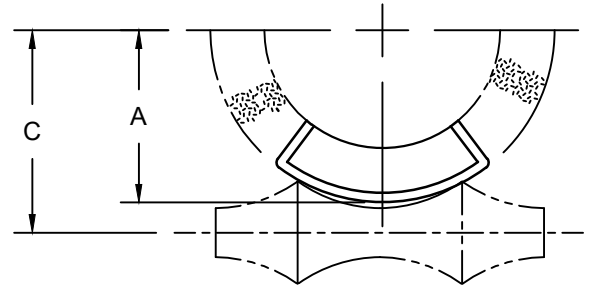
**MATERIAL - CARBON STEEL, T-304 & T-316 STAINLESS**

**FUNCTION - DESIGNED TO PROVIDE BEARING SURFACE, FOR SUPPORT, OUTSIDE OF THE INSULATION, THUS PREVENTING DAMAGE. NOTCHES ARE PROVIDED TO MINIMIZE SADDLE CONTACT WITH PIPE AND PREVENT HEAT LOSS.**

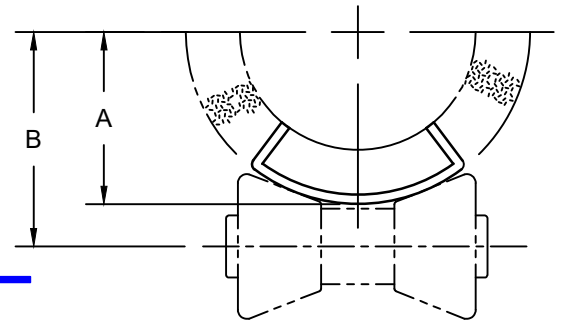
**NOTE - ALL SADDLES ARE 12" LONG AND COVER 60 DEGREES OF CIRCUMFERENCE OF THE PIPE.**

**FINISH - PLAIN, ELECTRO-GALVANIZED AND HDG**

**ORDER BY - FIGURE NUMBER, PIPE SIZE AND FINISH**



LONG PATTERN ROLLER



SHORT PATTERN ROLLER

PIPE SIZE	A	B	C	ACTUAL INSULATION THICKNESS	USE K-324	WITH K-321	MAX. REC. LOAD LBS.
3/4	2-13/16	3-1/2	3-9/16	2-1/16	5	4	1200
1	2-15/16	3-11/16	3-11/16	2-1/16	5	4	1200
1-1/4	3-1/8	3-7/8	3-7/8	2-1/16	5	4	1200
1-1/2	3-7/16	4-1/8	4-3/16	2-5/16	6	5	1800
2	3-5/8	4-5/16	4-7/16	2-5/16	6	5	1800
2-1/2	3-15/16	4-11/16	4-3/4	2-5/16	6	6	1800
3	4-1/4	5	5-1/16	2-1/16	8	6	1800
3-1/2	4-7/16	5-3/16	5-1/4	2-5/16	8	8	1800
4	4-11/16	5-1/2	5-1/2	2-1/16	8	8	1800
5	5-3/16	6	6-1/8	2-1/16	10	8	1800
6	5-9/16	6-1/2	6-1/2	2-1/16	10	10	1800
8	6-9/16	7-5/8	7-9/16	2-1/16	12	10	1800
10	7-11/16	9-1/8	8-7/8	2-1/8	16	16	1800
12	8-13/16	10-1/4	10-3/16	2-1/8	18	16	5000
14	9-7/16	10-15/16	10-13/16	2	18	18	5000
16	10-5/16	12	11-3/4	2	20	18	5000
18	11-5/16	13	12-3/4	2	24	20	7200
20	12-5/16	14-3/16	13-3/4	2	24	24	7200
24	14-5/16	16-9/16	15-7/8	2	-	30	7200
30	17-5/16	20	19-1/8	2	-	-	7200
36	20-7/16	-	22-3/8	2	-	-	7200