

# K-260

## PIPE COVERING PROTECTION SADDLE - 1" INSULATION

SIZE RANGE - 3/4" THRU 8" PIPE

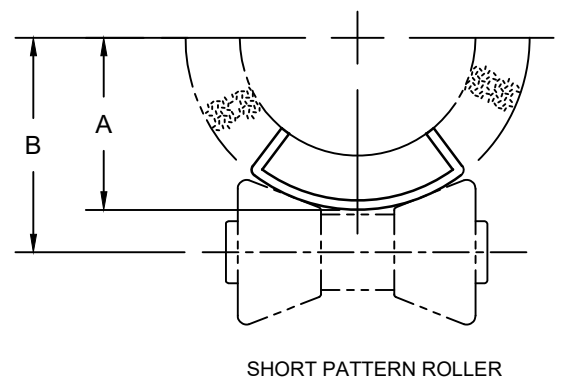
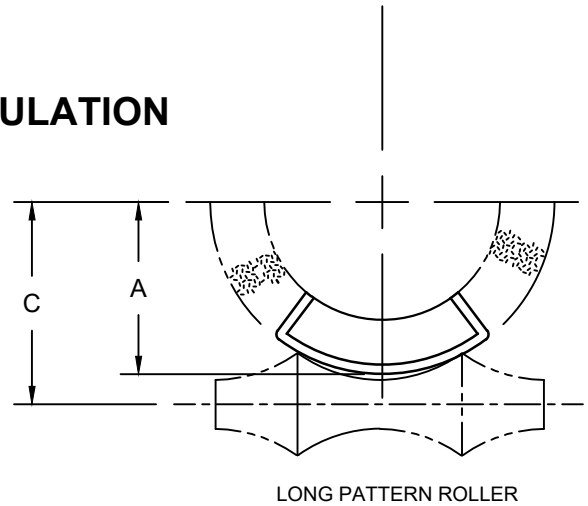
MATERIAL - CARBON STEEL, T-304 & T-316 STAINLESS

FUNCTION - DESIGNED TO PROVIDE BEARING SURFACE, FOR SUPPORT, OUTSIDE OF THE INSULATION, THUS PREVENTING DAMAGE. NOTCHES ARE PROVIDED TO MINIMIZE SADDLE CONTACT WITH PIPE AND PREVENT HEAT LOSS.

NOTE - ALL SADDLES ARE 12" LONG AND COVER 60 DEGREES OF CIRCUMFERENCE OF THE PIPE.

FINISH - PLAIN, ELECTRO-GALVANIZED AND HDG

ORDER BY - FIGURE NUMBER, PIPE SIZE AND FINISH



PIPE SIZE	A	B	C	ACTUAL INSULATION THICKNESS	USE K-324	WITH K-321	MAX. REC. LOAD LBS.
3/4	1-13/16	2-5/16	2-7/16	15/16	2-1/2	2	1200
1	1-15/16	2-7/16	2-5/8	1-1/8	3	2-1/2	1200
1-1/4	2-1/16	2-9/16	2-3/4	1-5/16	3	2-1/2	1200
1-1/2	2-3/16	2-3/4	2-15/16	1-1/16	4	3	1200
2	2-7/16	3	3-1/8	1-1/16	4	3-1/2	1200
2-1/2	2-11/16	3-1/4	3-7/16	1-1/16	5	3-1/2	1200
3	3	3-3/4	3-3/4	1-1/16	5	4	1200
3-1/2	3-1/2	4-1/4	4-1/4	1-5/16	6	5	1800
4	3-3/4	4-1/2	4-9/16	1-1/16	6	5	1800
5	4-5/16	5	5-1/8	1-1/16	8	6	1800
6	4-9/16	5-5/16	5-3/8	1	8	8	1800
8	5-5/8	6-5/8	6-5/8	1-1/16	10	10	1800