

K-6

RISER CLAMP

SIZE RANGE - 1/2" THRU 20" PIPE SIZE

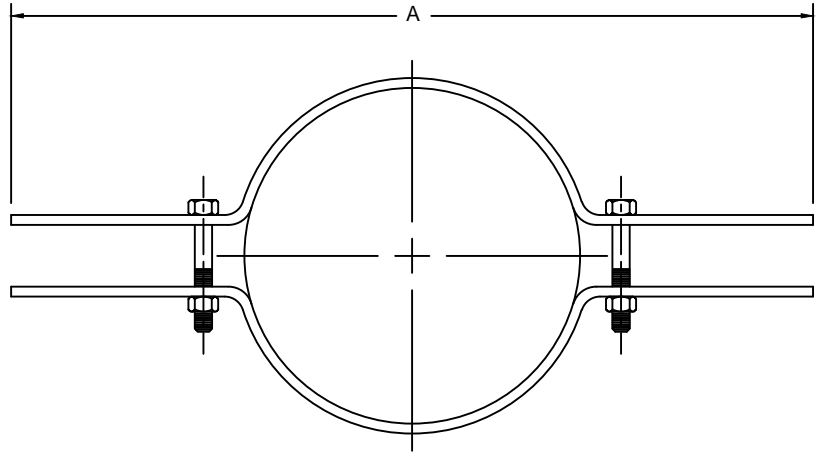
MATERIAL - CARBON STEEL AND STAINLESS STEEL

FUNCTION - USED FOR SUPPORTING VERTICAL PIPING.

MAXIMUM TEMPERATURE - 650°

FINISH - PLAIN, ELECTRO-GALVANIZED AND HDG

ORDER BY - FIGURE NUMBER, PIPE SIZE AND FINISH



PIPE SIZE	A	BOLT SIZE	MAXIMUM REC. LOAD LBS	APPROX. WEIGHT PER 100
1/2	9-1/4	3/8	255	144
3/4	9-1/4	3/8	255	144
1	9-9/16	3/8	255	147
1-1/4	9-11/16	3/8	255	150
1-1/2	10-3/8	3/8	255	153
2	10-3/4	3/8	255	165
2-1/2	11	3/8	390	228
3	12	3/8	530	246
3-1/2	13	1/2	670	264
4	13-1/2	1/2	810	347
5	14-1/2	1/2	1160	385
6	15-1/8	1/2	1570	564
8	18-1/2	5/8	2500	1017
10	20-1/4	5/8	2500	1138
12	22-3/4	5/8	2700	1759
14	24	5/8	2700	1922
16	26	3/4	2900	3245
18	28	3/4	2900	3372
20	30	3/4	2900	3499