

# K-5H

## HEAVY DUTY DOUBLE BOLT PIPE CLAMP

SIZE RANGE - 6" THRU 36" PIPE SIZE

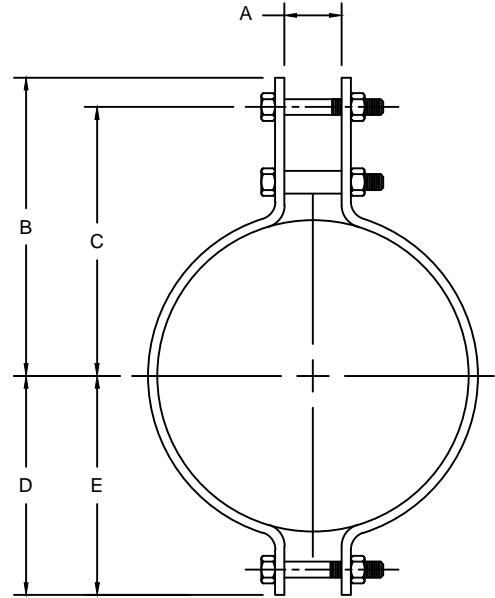
MATERIAL - CARBON STEEL AND STAINLESS STEEL

FUNCTION - DESIGNED FOR THE SUSPENSION OF HEAVY DUTY HIGH TEMPERATURE PIPE RUNS REQUIRING UP TO 4" OF INSULATION AND WHERE FLEXIBILITY OF THE CLAMP MAY BE NECESSARY.

MAXIMUM TEMPERATURE - 750°

FINISH - PLAIN, ELECTRO-GALVANIZED AND HDG

ORDER BY - FIGURE NUMBER, PIPE SIZE AND FINISH



PIPE SIZE	A	B	C	D	E	BOLT SIZE	MAX REC. LOADS LBS FOR SERVICE TEMP.		APPROX. WEIGHT PER 100
							650° F	750° F	
6	1-3/4	10-3/16	8-15/16	6	4-3/4	1	3500	3125	1200
8	2	11-3/8	10-1/8	7-1/4	6	1-1/8	4800	4285	1850
10	2-1/4	13-1/8	11-3/8	9	7-1/4	1-1/4	5500	4910	3030
12	2-1/2	14-5/16	12-9/16	10-3/8	8-5/8	1-3/8	7000	6250	4200
14	2-1/2	15-1/2	13-1/2	11-5/8	9-5/8	1-1/2	9500	8485	6000
16	3	17-1/8	14-7/8	13-1/8	10-7/8	1-3/4	10000	8930	8000
18	3-1/2	18-1/4	16-1/4	14-1/2	12-1/2	2	13800	12325	11500
20	3-1/2	19-3/4	17-1/4	16	13-1/2	2	15300	13665	14000
24	3-1/2	22-3/8	19-5/16	18-1/2	15-1/2	2	16300	14555	19000
30	4-1/4	32-3/4	28-1/4	24-3/8	19-7/8	2-1/4	20500		40600
36	4-1/2	40-1/4	34-3/4	34-3/4	22-5/8	2-3/4	28000		67800