

# K-4H

## HEAVY DUTY PIPE CLAMP

SIZE RANGE - 3" THRU 24" PIPE SIZE

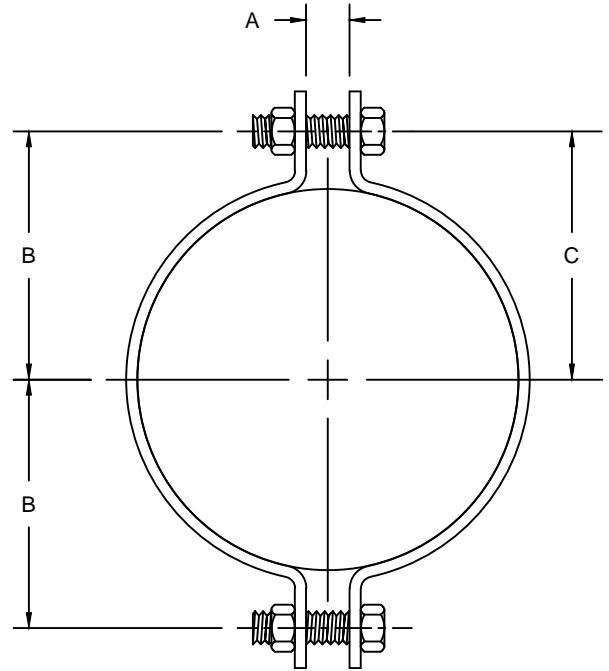
MATERIAL - CARBON STEEL AND STAINLESS STEEL

FUNCTION - TO CARRY A HEAVIER LOAD THAN STANDARD CLAMP WHERE LITTLE OR NO INSULATION IS REQUIRED

MAXIMUM TEMPERATURE - 750°

FINISH - PLAIN, ELECTRO-GALVANIZED AND HDG

ORDER BY - FIGURE NUMBER, PIPE SIZE AND FINISH



PIPE SIZE	A	B	C	BOLT SIZE	MAX REC. LOADS LBS FOR SERVICE TEMP.		APPROX. WEIGHT PER 100
					650° F	750° F	
3	1	3	4-1/8	3/4	3370	3005	498
4	1	3-11/16	4-15/16	7/8	3515	3135	634
5	1	4-5/16	5-9/16	7/8	3515	3135	714
6	1-1/8	5-3/16	6-11/16	1	4865	4340	1351
8	1-1/8	6-1/4	7-3/4	1	4865	4340	1573
10	1-1/4	7-7/8	9-1/2	1-1/4	6010	5360	2537
12	1-5/8	9-1/2	11-5/8	1-1/2	8675	7740	4300
14	1-5/8	10-1/8	12-1/4	1-1/2	9120	8135	5228
16	1-5/8	11-3/16	13-5/16	1-1/2	9120	8135	5657
18	1-5/8	12-3/16	14-5/16	1-1/2	9150	8160	6914
20	1-5/8	13-5/16	15-7/16	1-1/2	9150	8160	7468
24	1-3/4	15-3/8	17-3/4	1-1/2	9200	8205	12629