

K-4A

PIPE CLAMP FOR SWAY BRACING

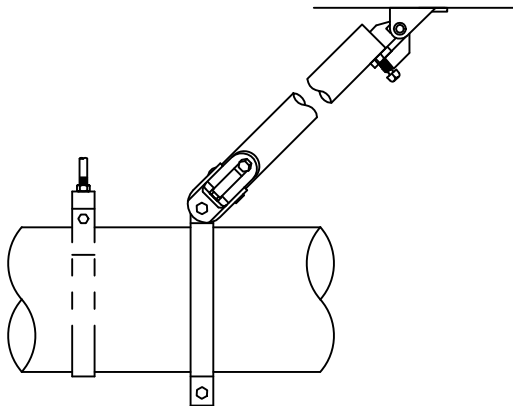
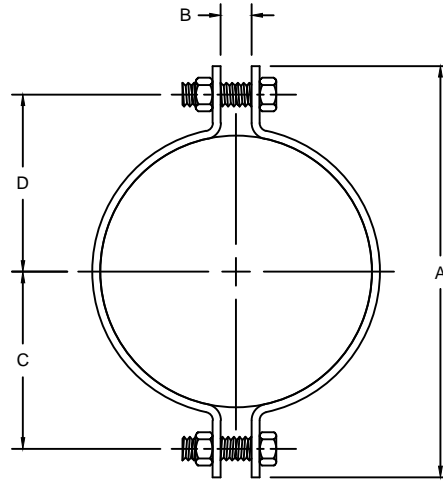
SIZE RANGE - 4" THRU 8" PIPE SIZE

MATERIAL - CARBON STEEL AND STAINLESS STEEL

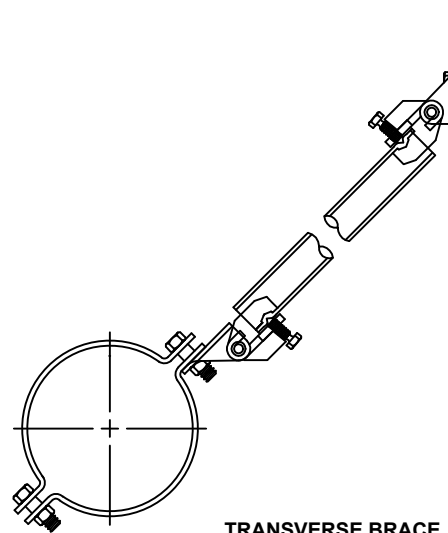
FUNCTION - FOR BRACING PIPE AGAINST SWAY AND SEISMIC DISTURBANCE.

FINISH - PLAIN, ELECTRO-GALVANIZED AND HDG

ORDER BY - FIGURE NUMBER, PIPE SIZE AND FINISH



LONGITUDINAL BRACE



TRANSVERSE BRACE

PIPE SIZE	A	B	C	D	BOLT SIZE	MAX. HORIZONTAL DESIGN LOAD	APPROX. WEIGHT PER 100
4	8-1/2	9/16	3-3/8	3-11/16	1/2	2015	221
5	9-3/4	9/16	3-7/8	4-3/8	1/2	2015	253
6	11-1/2	5/8	5	5-1/8	1/2	2015	513
8	13-1/4	3/4	6-11/16	6-1/8	1/2	2015	601