

K-4 STANDARD PIPE CLAMP

SIZE RANGE - 1/2" THRU 30" PIPE SIZE

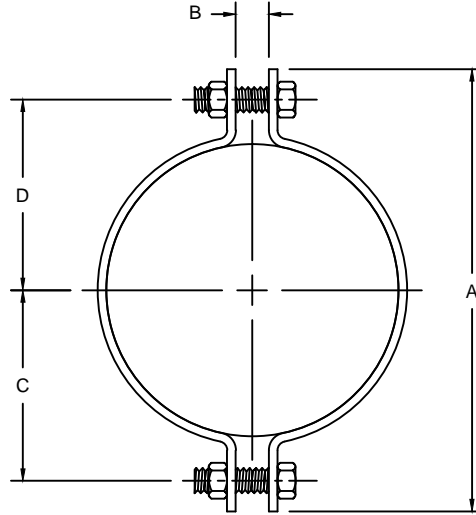
MATERIAL - CARBON STEEL AND STAINLESS STEEL

FUNCTION - TO CARRY PIPING WHEN LITTLE OR NO INSULATION IS REQUIRED. FOR HEAVIER LOADS, SEE K-4H

MAXIMUM TEMPERATURE - 750°

FINISH - PLAIN, ELECTRO-GALVANIZED AND HDG

ORDER BY - FIGURE NUMBER, PIPE SIZE AND FINISH



PIPE SIZE	A	B	C	D	BOLT SIZE	MAX REC. LOADS LBS FOR SERVICE TEMP.		APPROX. WEIGHT PER 100
						650° F	750° F	
1/2	2-13/16	1/2	1-1/8	1-1/8	5/16	500	445	29
3/4	3	1/2	1-1/8	1-1/8	5/16	500	445	31
1	3-9/16	1/2	1-1/4	1-9/16	5/16	500	445	35
1-1/4	4-3/16	1/2	1-3/8	2	5/16	500	445	40
1-1/2	4-1/4	1/2	1-1/2	2	5/16	800	715	42
2	5	1/2	2	2-1/4	3/8	1040	930	93
2-1/2	5-7/8	5/8	2-1/4	2-1/4	1/2	1040	930	126
3	6-3/4	5/8	3	3	1/2	1040	930	141
3-1/2	7-1/4	5/8	3-5/16	3-5/16	1/2	1040	930	154
4	7-3/4	3/4	3-3/8	3-3/8	5/8	1040	930	229
5	8-7/8	3/4	4-3/8	4-3/8	5/8	1040	930	261
6	11-1/4	7/8	4-7/8	4-7/8	3/4	1615	1440	537
8	13-1/8	1	5-13/16	5-13/16	3/4	1615	1440	625
10	16-1/2	1	7-1/4	7-1/4	7/8	2490	2220	1378
12	18-1/2	1	8-1/4	8-1/4	7/8	2490	2220	1574
14	20	1-1/8	9	9	7/8	2490	2220	2103
16	23	1-1/8	10-1/4	10-1/4	7/8	2490	2220	2314
18	25-7/8	1-1/4	11-1/2	11-1/2	1	3060	2730	3276
20	28	1-3/8	12-1/2	12-1/2	1-1/8	3060	2730	3863
24	33-1/2	1-5/8	15-1/4	15-1/4	1-1/4	3060	2730	5222
30	41-7/8	2	19	19	1-3/4	3500	3360	10511