

# K-33

## CONCRETE SINGLE LUG PLATE

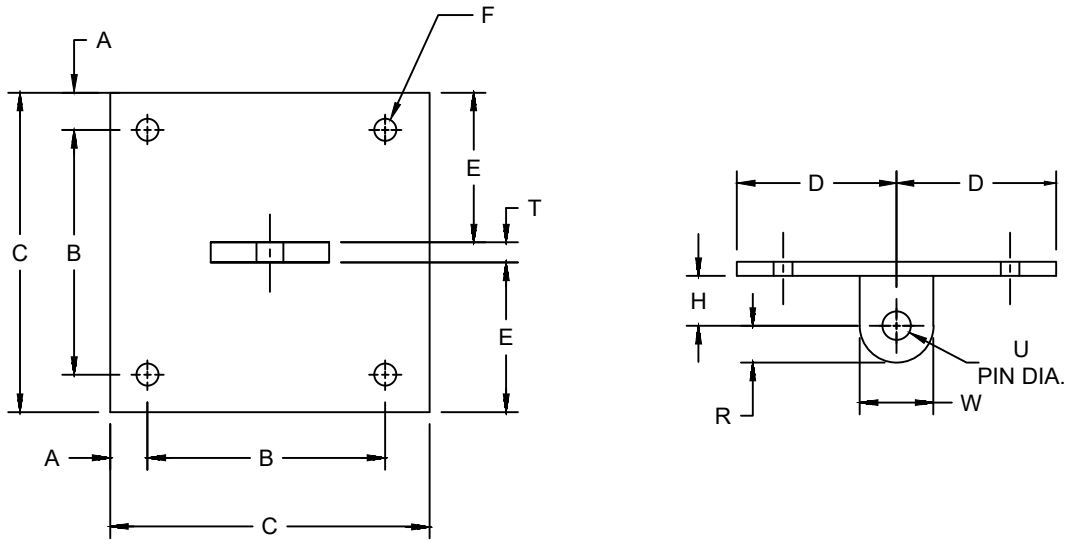
SIZE RANGE - 1/2" THRU 2" ROD SIZE

MATERIAL - CARBON STEEL AND STAINLESS STEEL

FUNCTION - STRUCTURAL ATTACHMENT TO CONCRETE CEILING. LUG IS USED IN CONJUNCTION WITH K-322 BRIDGE CLEVIS.

FINISH - PLAIN, ELECTRO-GALVANIZED AND HDG

ORDER BY - FIGURE NUMBER, ROD SIZE AND FINISH



ROD SIZE	A	B	C	D	E	F	H	R	T	U	W	MAX REC. LOAD LBS.	APPROX. WEIGHT PER 100
1/2	1	8	10	5	4-7/8	9/16	1-1/2	1-1/4	1/4	5/8	2-1/2	1130	1115
5/8	1	8	10	5	4-7/8	9/16	1-1/2	1-1/4	1/4	3/4	2-1/2	1810	1465
3/4	1	8	10	5	4-13-16	11/16	1-1/2	1-1/4	3/8	7/8	2-1/2	2710	1478
7/8	1	8	10	5	4-13/16	11/16	2	1-1/4	3/8	1	2-1/2	3770	2195
1	2	8	12	6	5-3/4	13/16	2	1-1/2	1/2	1-1/8	3	4960	3185
1-1/4	2	8	12	6	5-11/16	15/16	3	2	5/8	1-3/8	4	8000	4385
1-1/2	2	8	12	6	5-5/8	1-1/8	3	2-1/2	3/4	1-5/8	5	11630	4568
1-3/4	2	8	12	6	5-5/8	1-3/8	3	2-1/2	3/4	1-7/8	5	15700	5578
2	2	8	12	6	5-5/8	1-3/8	4	3	3/4	2-1/4	6	20700	5820