

K-31 O

"O" BRACKET

SIZE RANGE - 1/2" THRU 8" PIPE SIZE

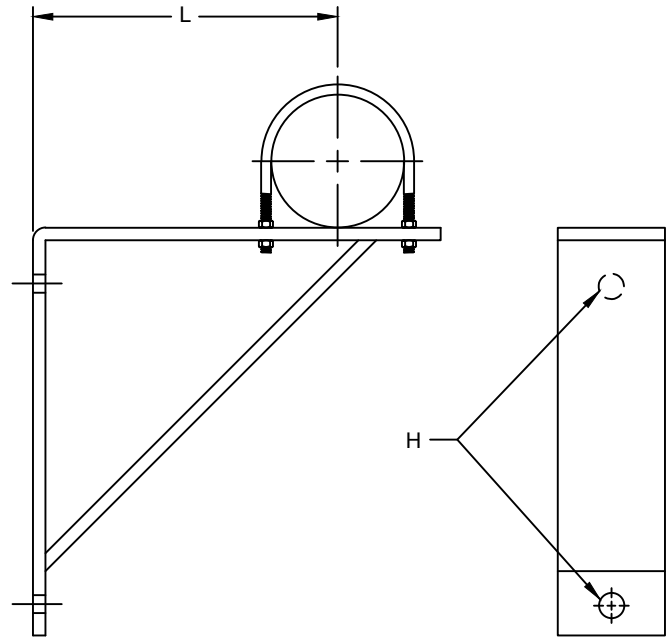
MATERIAL - CARBON STEEL AND STAINLESS STEEL

FUNCTION - SAME AS K-31M EXCEPT FOR LIGHTER LOADS

FINISH - PLAIN, ELECTRO-GALVANIZED AND HDG

ORDER BY - FIGURE NUMBER, PIPE SIZE, AND INDICATE "L" DIMENSION, AND FINISH

NOTE - MAXIMUM "L" DIMENSION - 1'-4"



PIPE SIZE	L	HOLE SIZE	MAX. REC. LOAD LBS.
2-1/2	*	9/16	450
3	*	9/16	450
3-1/2	*	9/16	450
4	*	11/16	450
5	*	11/16	450
6	*	11/16	450
8	*	11/16	450

* CUSTOMER SPECIFIED (MAX. 1'-4")