

K-31M

WELDED KNEE BRACKET

SIZE RANGE - 1/2" THRU 8" PIPE SIZE

MATERIAL - CARBON STEEL AND STAINLESS STEEL

FUNCTION - DESIGN ALLOWS PIPE TO BE MOUNTED OUT FROM WALL SURFACE. PIPE IS ATTACHED TO BRACKET BY MEANS OF "U" BOLT MOUNTED DIRECTLY TO BRACKET BODY

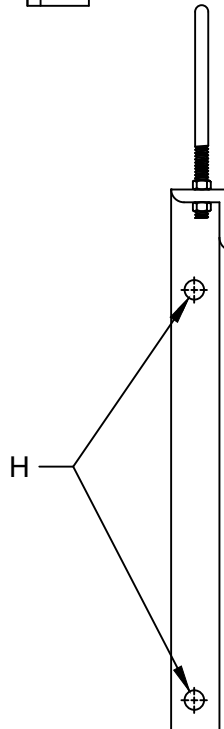
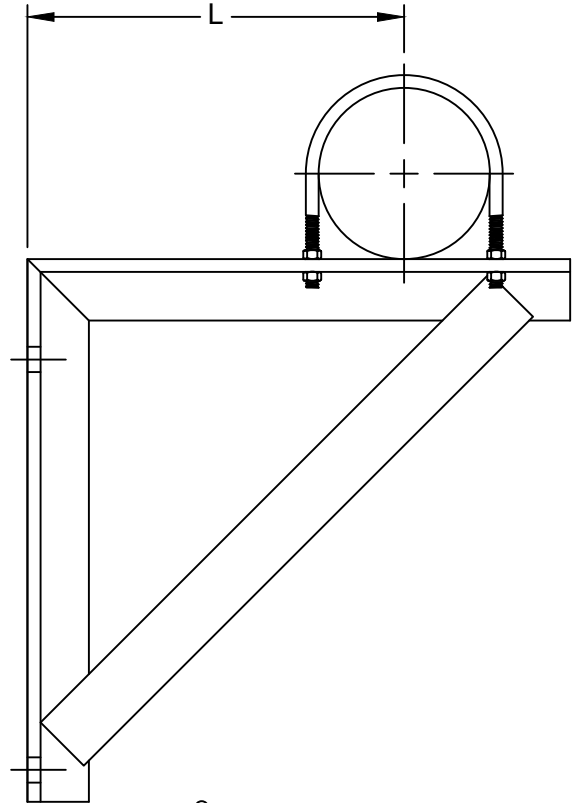
FINISH - PLAIN, ELECTRO-GALVANIZED AND HDG

ORDER BY - FIGURE NUMBER, PIPE SIZE, AND INDICATE "L" DIMENSION, AND FINISH

NOTE - MAXIMUM "L" DIMENSION - 1'-4"

ANGLE IRON = 1/4" X 2" X 2"

FLAT BAR BRACE = 1/4" X 2"



PIPE SIZE	L LENGTH	H	MAX. REC. LOAD LBS.
2-1/2	-	9/16	1000
3	-	9/16	1000
3-1/2	-	9/16	1000
4	-	11/16	1000
5	-	11/16	1000
6	-	11/16	1000
8	-	11/16	1000