



K-318

PIPE SADDLE WITH U-BOLT

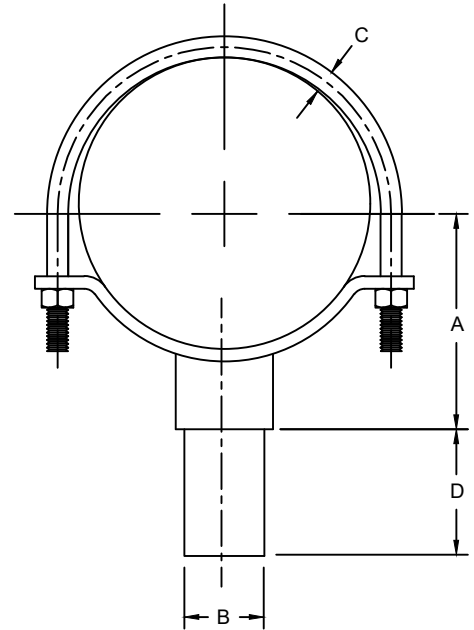
SIZE RANGE - 4" THRU 36" PIPE

MATERIAL - CARBON STEEL AND STAINLESS STEEL

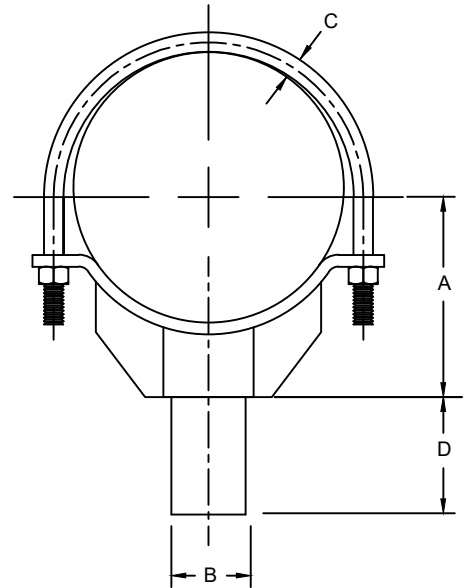
FUNCTION - EQUIVALENT TO K-317 EXCEPT "U" BOLT PROVIDED FOR RETAINING PIPE.

FINISH - PLAIN, ELECTRO-GALVANIZED AND HDG

ORDER BY - FIGURE NUMBER, PIPE SIZE AND FINISH



1 1/2" THRU 6" PIPE SIZE



8" THRU 36" PIPE SIZE

PIPE SIZE	MAX O.D. OF PIPE	A	B	C	B WILL FIT INTO SCH.40 PIPE	APPROX. WEIGHT PER 100
4	4-7/8	3-13/16	2-3/8	1/2	2-1/2	620
5	5-5/8	4-3/16	2-3/8	1/2	2-1/2	660
6	7	4-7/8	2-3/8	5/8	2-1/2	835
8	9-1/8	6-15/16	2-3/8	5/8	2-1/2	1120
10	11-1/8	7-15/16	2-3/8	3/4	2-1/2	1400
12	13-1/2	9-1/8	2-3/8	7/8	2-1/2	1800
14	14	10-1/2	2-7/8	7/8	3	2930
16	16	11-1/2	2-7/8	7/8	3	3225
18	18	13-1/2	3-3/4	7/8	4	3960
20	20	14-1/2	3-3/4	1	4	4309
22	22	15-1/2	3-3/4	1	4	4660
24	24	17-1/2	3-3/4	1	4	5188
26	26	18-1/2	3-3/4	1	4	5520
30	30	20-5/8	3-3/4	1	4	6948
32	32	21-5/8	3-3/4	1	4	7327
36	36	23-5/8	3-3/4	1	4	8046