



# KUMAR

PIPE HANGERS & PIPE SUPPORT SYSTEMS

## K-317A

### PIPE SADDLE AND THREADED PIPE ADJUSTER

SIZE RANGE - 4" THRU 36" PIPE SIZE

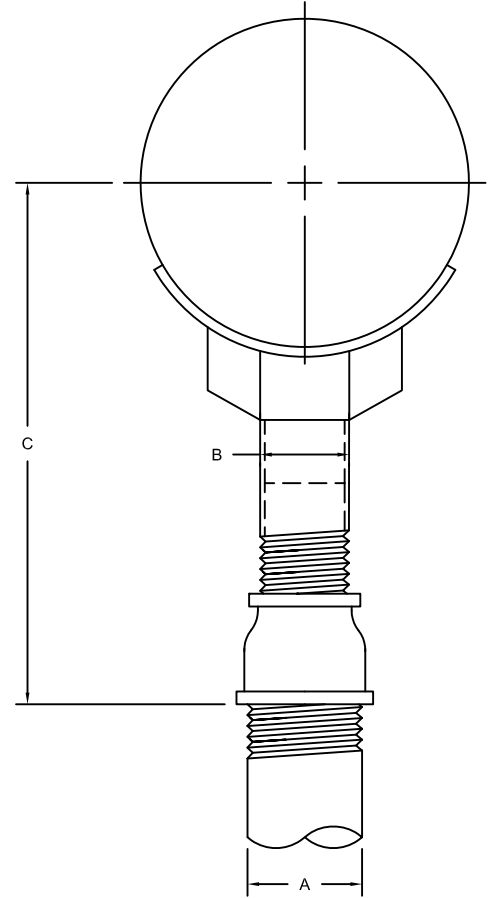
MATERIAL - CARBON STEEL AND STAINLESS STEEL

FUNCTION - TO SUPPORT HORIZONTAL PIPE FROM FLOOR STANCHION. STANCHION PIPE FITS OVER STRAIGHT THREADED SHANK THAT PERMITS ADJUSTMENT AFTER INSTALLATION.

FINISH - PLAIN, ELECTRO-GALVANIZED AND HDG

ORDER BY - FIGURE NUMBER, PIPE SIZE, ADJUSTER SIZE AND FINISH

NOTE - ORDER WITH KUMAR K-316T FOR COMPLETE STANCHION SUPPORT



STAND PIPE SIZE	A PIPE SIZE	B PIPE SIZE	C MIN.	C MAX.	APPROX. WEIGHT PER 100
2-1/2	2-1/2	1-1/2	7	11-1/2	453
3	2-1/2	1-1/2	7-5/16	11-13/16	466
3-1/2	2-1/2	1-1/2	7-9/16	12-1/16	482
4	3	2-1/2	10-1/4	14-3/4	1248
5	3	2-1/2	11-1/16	15-9/16	1282
6	3	2-1/2	11-9/16	16-1/16	1343
8	3	2-1/2	13-9/16	18-1/16	1583
10	3	2-1/2	14-5/8	19-1/8	1665
12	3	2-1/2	15-5/8	20-1/8	1800
14	4	3	18-7/8	23-3/8	2761
16	4	3	19-7/8	24-3/8	2900
18	6	4	22-1/4	26-3/4	4468
20	6	4	23-1/4	27-3/4	4470
22	6	4	24-1/4	28-3/4	4848
24	6	4	26-1/2	31	5218
26	6	4	27-1/2	32	5420
30	6	4	29-5/8	34-1/8	6295
32	6	4	30-5/8	35-1/8	6478
36	6	4	32-5/8	37-1/8	6856

PRODUCTS WITH INTEGRITY