



K-317

PIPE SADDLE

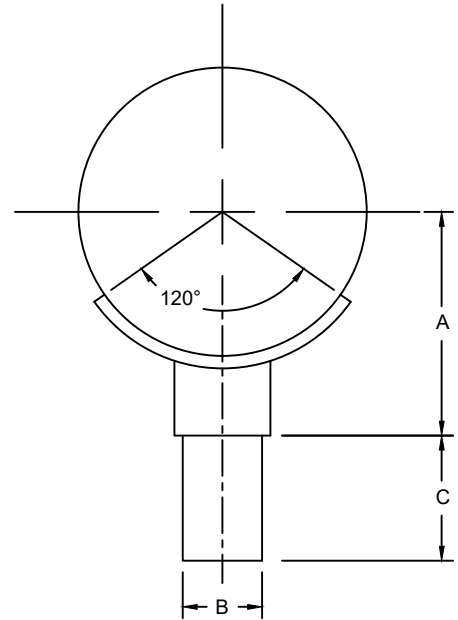
SIZE RANGE - 4" THRU 36" PIPE

MATERIAL - CARBON STEEL AND STAINLESS STEEL

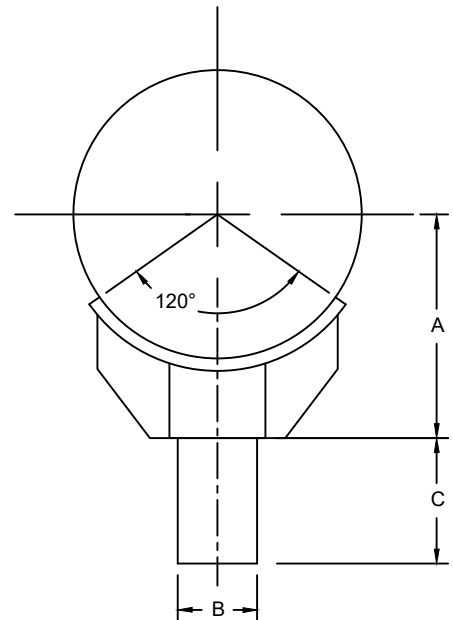
FUNCTION - TO SUPPORT HORIZONTAL PIPE FROM FLOOR STANCHION. STANCHIONS PIPE MUST FIT OVER PIPE SADDLE SHANK. USE A FLOOR FLANGE OR STEEL PLATE WELDED FOR SECURING STANCHION TO FLOOR.

FINISH - PLAIN, ELECTRO-GALVANIZED AND HDG

ORDER BY - FIGURE NUMBER, PIPE SIZE AND FINISH



1 1/2" THRU 6" PIPE SIZE



8" THRU 36" PIPE SIZE

PIPE SIZE	MAX O.D. OF PIPE	A	B	C	B WILL FIT INTO SCH.40 PIPE	APPROX. WEIGHT PER 100
1-1/2	2	2-1/4	1	2	1	127
2	2-3/8	2-7/16	1	2	1	131
2-1/2	2-7/8	2-11/16	1-1/2	2	1-1/2	149
3	3-1/2	3	1-1/2	2	1-1/2	162
3-1/2	4	3-1/4	1-1/2	2	1-1/2	178
4	4-7/8	3-13/16	2-3/8	3	2-1/2	455
5	5-5/8	4-3/16	2-3/8	3	2-1/2	489
6	7	4-7/8	2-3/8	3	2-1/2	550
8	9-1/8	6-15/16	2-3/8	4	2-1/2	790
10	11-1/8	7-15/16	2-3/8	4	2-1/2	872
12	13-1/2	9-1/8	2-3/8	4	2-1/2	1007
14	14	10-1/2	2-7/8	4	3	1541
16	16	11-1/2	2-7/8	4	3	1680
18	18	13-1/2	3-3/4	4	4	2220
20	20	14-1/2	3-3/4	4	4	2415
22	22	15-1/2	3-3/4	4	4	2600
24	24	17-1/2	3-3/4	4	4	2970
26	26	18-1/2	3-3/4	4	4	3172
30	30	20-5/8	3-3/4	4	4	4047
32	32	21-5/8	3-3/4	4	4	4230
36	36	23-5/8	3-3/4	4	4	4608