



## K-314

### FLANGE SUPPORT

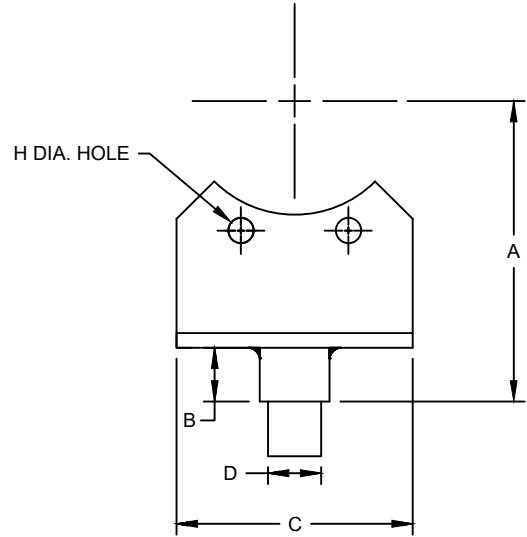
SIZE RANGE - 4" THRU 36" PIPE

MATERIAL - CARBON STEEL AND STAINLESS STEEL

FUNCTION - DESIGNED TO SUPPORT 125 LB CAST IRON AND 150 LB. FORGED STEEL FLANGED CONNECTIONS. (CONSULT FACTORY FOR OTHER FLANGED BOLT PATTERNS). TO COMPLETE FLOOR STANCHION, K-316 STAND PIPE. FOR COMPLETE FLOOR STANCHION WITH VERTICAL ADJUSTMENT USE K-319 THREADED PIPE WITH ADJUSTER AND K-316T THREADED PIPE STAND.

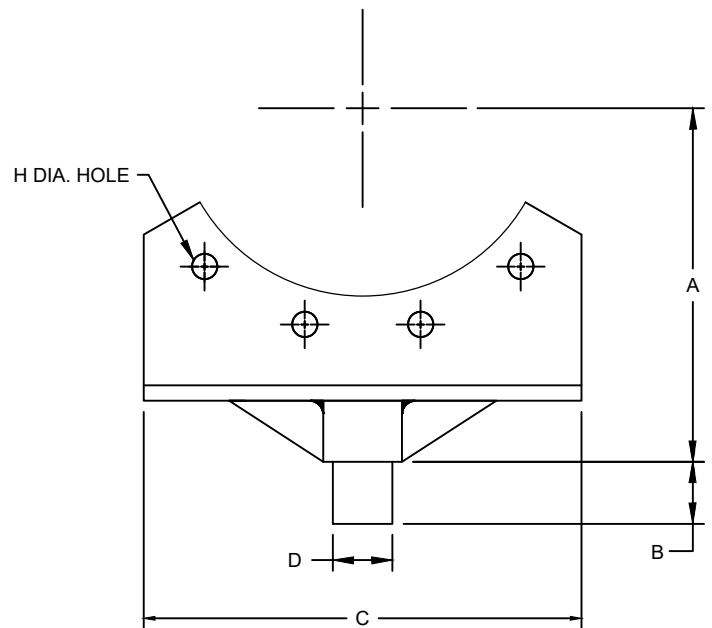
FINISH - PLAIN, ELECTRO-GALVANIZED AND HDG

ORDER BY - FIGURE NUMBER, PIPE SIZE AND FINISH



4" THRU 12" FLANGE SIZE

PIPE SIZE	A	B	C	D	D WILL FIT INTO SCH.40 PIPE	H
4	6-7/8	2	6-3/8	2 3/8	2-1/2	3/4
5	7-3/8	2	7-1/16	2-3/8	2-1/2	7/8
6	7-7/8	2	7-3/4	2-3/8	2-1/2	7/8
8	10-1/8	2	9-9/16	2-3/8	2-1/2	7/8
10	11-3/8	2	8	2-3/8	2-1/2	1
12	12-7/8	2	9-1/2	2-3/8	2-1/2	1
14	15	3	18-3/16	2-7/8	3	1-1/8
16	16-1/4	3	16-5/8	2-7/8	3	1-1/8
18	18	4	17-11/16	3-1/2	4	1-1/4
20	19-1/4	4	15-3/4	3-1/2	4	1-1/4
22	20-1/4	4	16-5/16	3-1/2	4	1-3/8
24	22-1/2	4	18-3/8	3-1/2	4	1-3/8
26	23-5/8	4	17-1/8	3-1/2	4	1-3/8
30	25-7/8	4	16-3/8	3-1/2	4	1-3/8
32	27-3/8	4	17-5/8	3-1/2	4	1-5/8
36	29-1/2	4	17-1/2	3-1/2	4	1-5/8



14" THRU 36" FLANGE SIZE