



K-313

ADJUSTABLE PIPE SUPPORT WITH U-BOLT

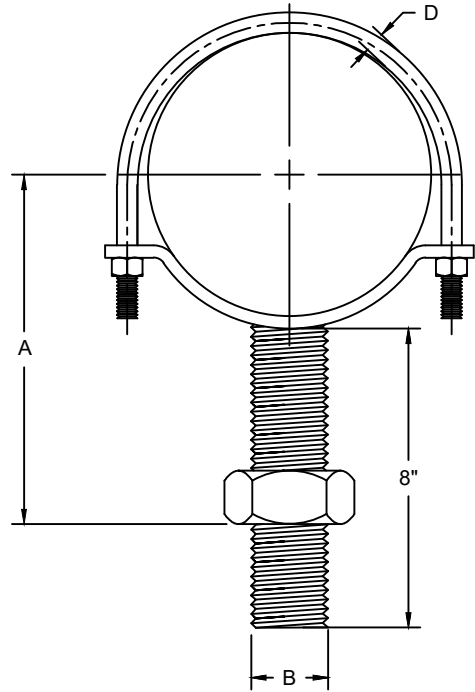
SIZE RANGE - 2" THRU 12" PIPE

MATERIAL - CARBON STEEL AND STAINLESS STEEL

FUNCTION - STANCHION TYPE SUPPORT WITH YOKE WHERE VERTICAL ADJUSTMENT IS REQUIRED.

FINISH - PLAIN, ELECTRO-GALVANIZED AND HDG

ORDER BY - FIGURE NUMBER, PIPE SIZE AND FINISH



| STAND PIPE SIZE | MAX. O.D. PIPE | A MIN. | A MAX. | B | D | MAX. REC. LOAD LBS | APPROX. WEIGHT PER 100 |
|-----------------|----------------|--------|--------|-------|-----|--------------------|------------------------|
| 2 | 2-3/8 | 2-3/4 | 6 | 7/8 | 3/8 | 1500 | 1413 |
| 2-1/2 | 2-7/8 | 3-1/4 | 6-1/2 | 7/8 | 3/8 | 1500 | 1453 |
| 3 | 4 | 3-1/2 | 6-3/4 | 7/8 | 1/2 | 1500 | 1628 |
| 3-1/2 | 4 | 3-1/2 | 6-3/4 | 7/8 | 1/2 | 1500 | 1913 |
| 4 | 4-7/8 | 4-1/4 | 7-1/2 | 1 | 1/2 | 2500 | 2193 |
| 5 | 5-5/8 | 4-1/2 | 7-3/4 | 1 | 1/2 | 2500 | 2593 |
| 6 | 7 | 5-5/8 | 8-3/8 | 1-1/4 | 5/8 | 4000 | 4150 |
| 8 | 9-1/8 | 6-3/4 | 9-1/2 | 1-1/4 | 5/8 | 4000 | 4445 |
| 10 | 11-1/8 | 8 | 10 | 1-1/4 | 3/4 | 5500 | 6208 |
| 12 | 13-1/2 | 9-1/4 | 11-1/4 | 1-1/4 | 7/8 | 5500 | 6557 |