



# K-312

## ADJUSTABLE PIPE SUPPORT

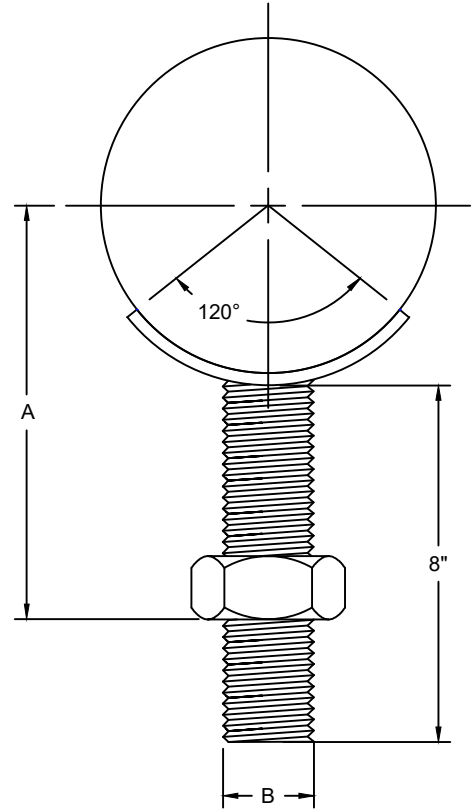
SIZE RANGE - 2" THRU 12" PIPE

MATERIAL - CARBON STEEL AND STAINLESS STEEL

FUNCTION - STANCHION TYPE SUPPORT WHERE VERTICAL ADJUSTMENT IS REQUIRED.

FINISH - PLAIN, ELECTRO-GALVANIZED AND HDG

ORDER BY - FIGURE NUMBER, PIPE SIZE AND FINISH



STAND PIPE SIZE	MAX. O.D. PIPE	A MIN.	A MAX.	B	MAX. REC. LOAD LBS	APPROX. WEIGHT PER 100
2	2-3/8	2-3/4	6	7/8	1500	1413
2-1/2	2-7/8	3-1/4	6-1/2	7/8	1500	1453
3	4	3-1/2	6-3/4	7/8	1500	1628
3-1/2	4	3-1/2	6-3/4	7/8	1500	1913
4	4-7/8	4-1/4	7-1/2	1	2500	2193
5	5-5/8	4-1/2	7-3/4	1	2500	2593
6	7	5-5/8	8-3/8	1-1/4	4000	4150
8	9-1/8	6-3/4	9-1/2	1-1/4	4000	4445
10	11-1/8	8	10	1-1/4	5500	6208
12	13-1/2	9-1/4	11-1/4	1-1/4	5500	6557