



K-311

PIPE SADDLE WITH STRAP

SIZE RANGE - 4" THRU 36" PIPE

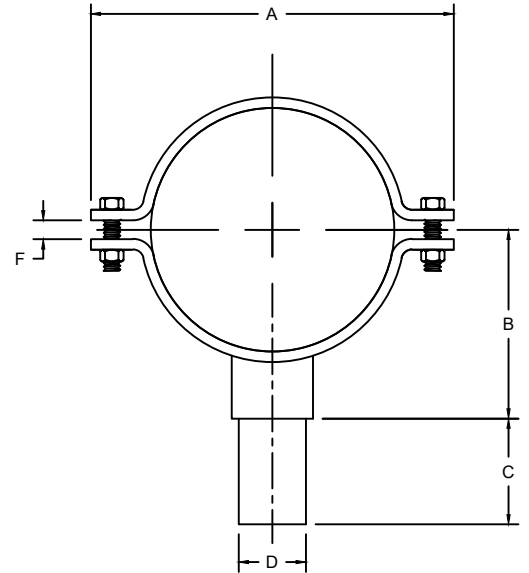
MATERIAL - CARBON STEEL AND STAINLESS STEEL

FUNCTION - DESIGNED TO SUPPORT HORIZONTAL PIPE FROM FLOOR STANCHION. TOP CLAMP HOLDS PIPE SECURELY TO SADDLE. TO COMPLETE FLOOR STANCHION USE WITH K-316 STAND PIPE. FOR COMPLETE FLOOR STANCHION WITH VERTICAL ADJUSTMENT USE K-319 THREADED PIPE ADJUSTER AND K-316T THREADED PIPE STAND.

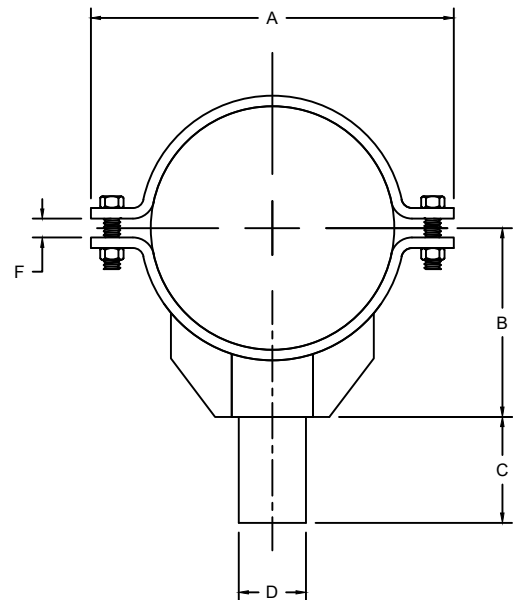
FINISH - PLAIN, ELECTRO-GALVANIZED AND HDG

ORDER BY - FIGURE NUMBER, PIPE SIZE AND FINISH

PIPE SIZE	A	B	C	D	D WILL FIT INTO		BOLT SIZE
					SCH.40 PIPE	F	
4	7	3-13/16	2	2 3/8	2-1/2	3/4	1/2
5	8-5/8	4-3/16	2	2-3/8	2-1/2	3/4	1/2
6	11	4-7/8	2	2-3/8	2-1/2	7/8	5/8
8	12-7/8	6-15/16	2	2-3/8	2-1/2	1	5/8
10	16-1/4	7-15/16	2	2-3/8	2-1/2	1	3/4
12	18-1/4	9-1/8	3	2-3/8	2-1/2	1	3/4
14	19-3/4	10-1/2	3	2-7/8	3	1-1/8	3/4
16	22-3/4	11-1/2	3	2-7/8	3	1-1/8	3/4
18	25-7/8	13-1/2	4	3-1/2	4	1-1/4	3/4
20	27-3/4	14-1/2	4	3-1/2	4	1-3/8	3/4
22	29-3/4	15-1/2	4	3-1/2	4	1-3/8	3/4
24	33	17-1/2	4	3-1/2	4	1-5/8	7/8
26	35	18-1/2	4	3-1/2	4	2	7/8
30	41-3/8	20-5/8	4	3-1/2	4	2	7/8
32	43-3/8	21-5/8	4	3-1/2	4	2	7/8
36	47-3/8	23-5/8	4	3-1/2	4	2	7/8



4" AND 6" PIPE SIZE



8" TO 36" PIPE SIZE