

# K-30H

## WELDED BRACKET HEAVY DUTY

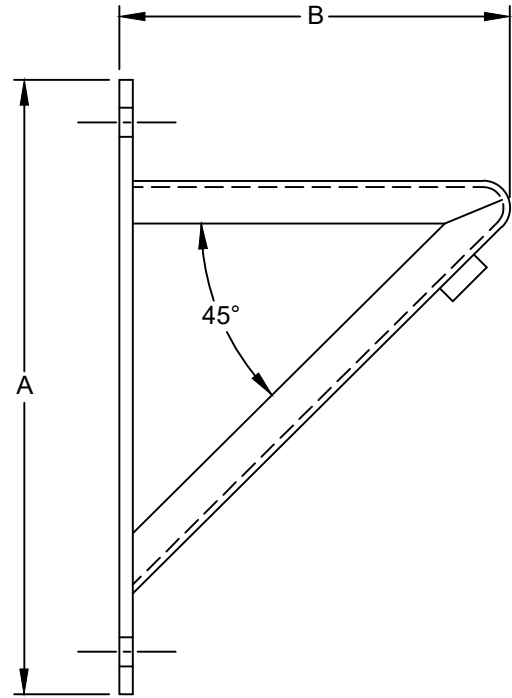
MAX. RECOMMENDED LOAD - 3000 LBS

MATERIAL - CARBON STEEL AND STAINLESS STEEL

FUNCTION - SPACE BETWEEN ANGLES ALLOWS  
SUPPORTING PIPE ON TOP OR HANGING THROUGH  
SUPPORT BRACKET

FINISH - PLAIN, ELECTRO-GALVANIZED AND HDG

ORDER BY - FIGURE NUMBER, SIZE, AND FINISH



SIZE	A	B	C	D	E	BACK PLATE SIZE	HOLE SIZE	MAX. REC. LOAD LBS.	APPROX. WEIGHT PER 100
1	18	12	15-1/4	1-3/8	-	1/2 X 4	1-1/8	3000	2195
2	24	18	21-1/4	1-3/8	2-1/2	1/2 X 5	1-1/8	3000	4398
3	30	24	27-1/4	1-3/8	2-1/2	1/2 X 5	1-1/8	3000	6294
4	36	30	33	1-1/2	2-1/2	1/2 X 5	1-1/8	3000	7196
5	42	36	39	1-1/2	3-1/2	1/2 X 6	1-1/8	3000	13197
6	50	42	46	1-1/2	3-1/2	1/2 X 6	1-1/8	3000	15795

