

K-220

INSULATION PROTECTION SHIELD

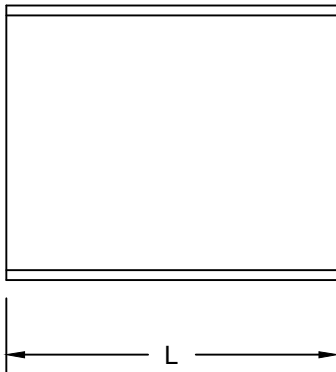
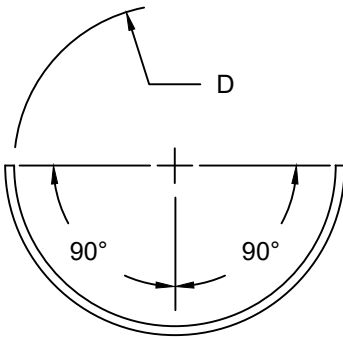
SIZE RANGE - 2-3/8" THRU 28" INSIDE DIAMETER

MATERIAL - CARBON STEEL AND STAINLESS STEEL

FUNCTION - RECOMMENDED FOR OUTSIDE OF FOAM OR FIBER GLASS INSULATION TO PRELUDE CRUSHING OF INSULATION WITHOUT BREAKING THE VAPOR BARRIER. ACTUAL FOAM OR FIBER GLASS INSULATION THICKNESS VARY, VERIFY THAT THE I.D. OF THE SELECTED SHIELD IS SUITABLE FOR THE REQUIRED APPLICATION.

FINISH - MIL-GALVANIZED AND HDG

ORDER BY - FIGURE NUMBER SHIELD SIZE, GAUGE AND LENGTH DATA APPLICABLE TO SHIELDS FOR THICKER INSULATION OR LARGER PIPE SIZES IS AVAILABLE UPON REQUEST.



D SHIELD I.D.	STOCK SIZE	L SHIELD LENGTH	APPROX. WEIGHT PER 100
2.38	18 GA.	12	69
2.88	18 GA.	12	84
3.50	18 GA.	12	99
4.00	18 GA.	12	114
4.50	18 GA.	12	129
5.00	18 GA.	12	142
5.56	18 GA.	12	160
6.64	16 GA.	12	190
7.65	16 GA.	18	268
8.64	16 GA.	18	305
9.64	16 GA.	18	510
10.76	16 GA.	18	563
11.76	14 GA.	24	1018
12.76	14 GA.	24	1108
14.00	14 GA.	24	1190
15.00	14 GA.	24	1274
16.00	14 GA.	24	1359
17.00	14 GA.	24	1450
18.00	12 GA.	24	2124
19.00	12 GA.	24	2241
20.00	12 GA.	24	2358
21.00	12 GA.	24	2475
22.00	12 GA.	24	2592
23.00	12 GA.	24	2709
24.00	12 GA.	24	2862
26.00	12 GA.	24	3060
27.00	12 GA.	24	3177
28.00	12 GA.	24	3303