

# K-20S

## FLUSH MOUNT PIPE STRAP

SIZE RANGE - 1/2" THRU 8" PIPE SIZE

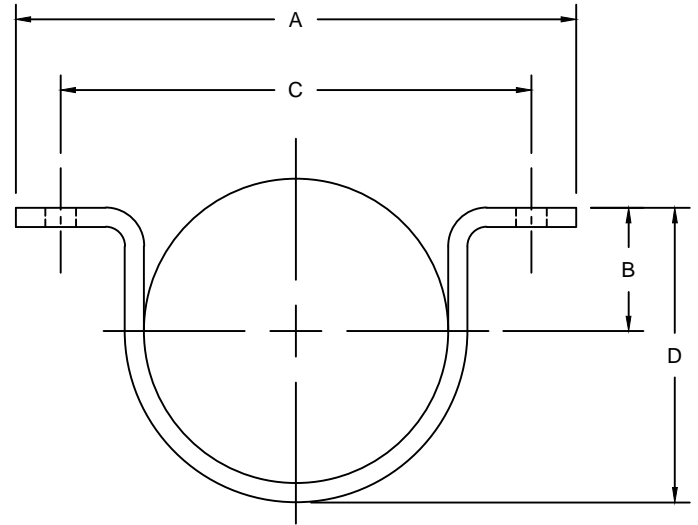
MATERIAL - CARBON STEEL AND STAINLESS STEEL

FUNCTION - TO HOLD PIPE FLUSH WITH MOUNTING SURFACE

MAXIMUM TEMPERATURE - 650°

FINISH - PLAIN, ELECTRO-GALVANIZED AND HDG

ORDER BY - FIGURE NUMBER, PIPE SIZE AND FINISH



PIPE SIZE	A	B	C	D	HOLE SIZE	MAX. RECOM. LOAD LBS.	APPROX. WEIGHT PER 100
1/2	4-1/8	5/16	2-7/8	3/4	7/16	410	21
3/4	4-5/16	7/16	3	15/16	7/16	410	24
1	4-9/16	9/16	3-3/8	1-1/8	7/16	410	26
1-1/4	4-15/16	11/16	3-3/4	1-1/2	7/16	410	30
1-1/2	5-3/16	13/16	4-1/4	1-5/8	7/16	410	33
2	5-3/4	1-1/16	4-3/4	2-1/4	7/16	410	38
2-1/2	6-1/4	1-9/16	5-1/4	2-3/4	7/16	610	102
3	6-7/8	1-5/8	5-7/8	3-3/8	7/16	610	118
3-1/2	7-3/8	1-7/8	6-3/8	3-7/8	7/16	610	130
4	8-3/8	2-1/8	7	4-3/8	9/16	725	159
5	9-7/16	2-5/8	7-7/8	5-3/8	9/16	725	191
6	10-1/2	3-3/16	8-7/8	6-7/16	9/16	725	234
8	14	4-1/4	11-1/2	8-3/8	11/16	900	446