

KUMAR

PIPE HANGERS & PIPE SUPPORT SYSTEMS

K-110

STEEL PIPE U-BOLT

SIZE RANGE - 1/2" THRU 36" PIPE

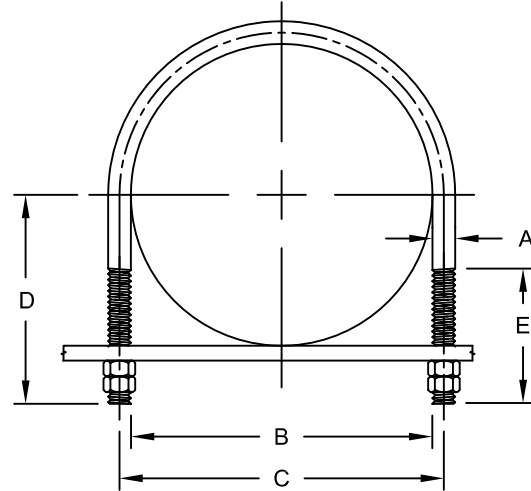
MATERIAL - CARBON STEEL AND STAINLESS STEEL

FUNCTION - RECOMMENDED FOR SUPPORT, ANCHOR OR GUIDE OF HEAVY LOADS, OFTEN EMPLOYED IN POWER AND PROCESS PLANT SERVICE

FINISH - PLAIN, ELECTRO-GALVANIZED, HDG

ORDER BY - FIGURE NUMBER, ROD SIZE X PIPE SIZE (AS 5/8 X 6)

U-BOLT CAN BE FURNISHED WITH LONGER TANGENTS "D" OR WITH LONGER THREADS "E", IF SO REQUIRED.



PIPE SIZE	A ROD SIZE	B	C	D	E	MAX. REC. LOAD LBS* FOR SERVICE TEMPS.		APPROX. WEIGHT PER 100
						650°F	750°F	
1/2	1/4	15/16	1-3/16	2-3/4	2-1/8	485	435	11
3/4	1/4	1-1/8	1-3/8	2-3/4	2-1/8	485	435	12
1	1/4	1-3/8	1-5/8	2-3/4	2-1/8	485	435	12
1-1/4	3/8	1-11/16	2-1/16	2-7/8	2-1/8	1220	1090	28
1-1/2	3/8	2	2-3/8	3	2-1/2	1220	1090	30
2	3/8	2-7/16	2-13/16	3-1/4	2-1/2	1220	1090	33
2-1/2	1/2	2-15/16	3-7/16	3-3/4	3	2260	2020	85
3	1/2	3-9/16	4-1/16	4	3	2260	2020	93
3-1/2	1/2	4-1/16	4-9/16	4-1/4	3	2260	2020	101
4	1/2	4-9/16	5-1/16	4-1/2	3	2260	2020	110
5	1/2	5-5/8	6-1/8	5	3	2260	2020	124
6	5/8	6-3/4	7-3/8	6-1/8	3-3/4	3620	3230	200
8	5/8	8-3/4	9-3/8	7-1/8	3-3/4	3620	3230	230
10	3/4	10-7/8	11-5/8	8-3/8	4	5420	4830	486
12	7/8	12-7/8	13-3/4	9-5/8	4-1/4	7540	6730	790
14	7/8	14-1/8	15	10-1/4	4-1/4	7540	6730	850
16	7/8	16-1/8	17	11-1/4	4-1/4	7540	6730	935
18	1	18-1/8	19-1/8	12-5/8	4-3/4	9920	8850	1360
20	1	20-1/8	21-1/8	13-5/8	4-3/4	9920	8850	1476
24	1	24-1/8	25-1/8	15-5/8	4-3/4	9920	8850	1698
30	1	30-1/8	31-1/8	18-5/8	4-3/4	9920	8850	2027
36	1	36-1/8	37-1/8	21-5/8	4-3/4	9920	8850	2320

PRODUCTS WITH INTEGRITY