

# K-10

## FLANGE RESTRAINT LUG

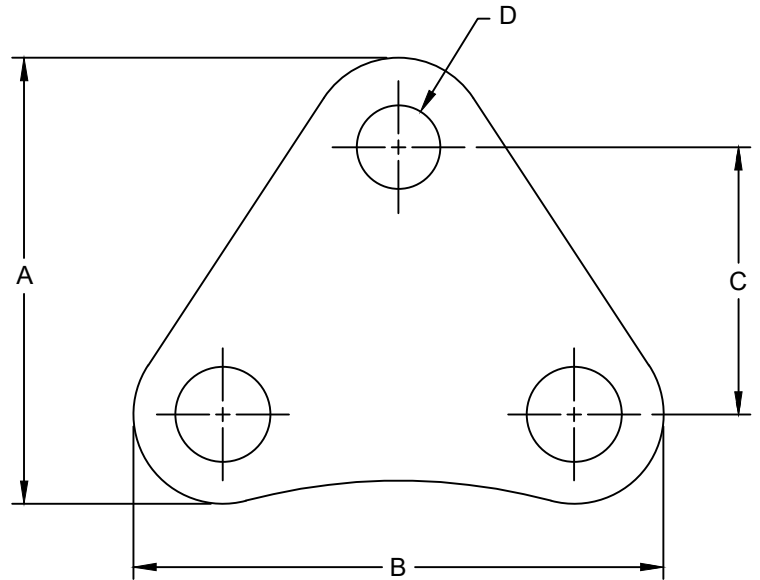
SIZE RANGE - 2" THRU 24" PIPE SIZE

MATERIAL - CARBON STEEL AND STAINLESS STEEL

FUNCTION - PROVIDES RESTRAINT FOR FLANGED CONNECTIONS. DESIGNED FOR USE WITH AN ANSI B16.1 CLASS 125 OR AWWA C207 CLASS E LUGS FOR CLASS 250/300 ARE ALSO AVAILABLE

FINISH - PLAIN, ELECTRO-GALVANIZED AND HDG

ORDER BY - PIPE SIZE, CLASS AND FINISH



FLANGE SIZE	A	B	C	D	PLATE SIZE	APPROX. WEIGHT PER 100
2	4-5/16	4-7/8	2-3/4	7/8	3/8	215
4	4-7/16	4-5/8	2-3/4	7/8	3/8	217
6	4-9/16	5-1/4	2-13/16	7/8	1/2	321
8	4-3/4	6-1/8	3	7/8	1/2	325
10	4-11/16	5-9/16	2-13/16	7/8	1/2	327
12	5-5/16	6-5/8	3	7/8	3/4	645
14	6-1/8	7-1/2	3-3/8	1-3/8	3/4	652
16	6-1/8	7	3-1/4	1-3/8	3/4	655
18	6	6-13/16	3-3/8	1-3/8	3/4	660
20	6-5/8	6-7/16	3-5/8	1-1/2	1	1246
24	7	7-1/2	3-3/4	1-5/8	1	1290