

KUMAR

PIPE HANGERS & PIPE SUPPORT SYSTEMS

K-1

STEEL PIPE CLEVIS HANGER

SIZE RANGE - 1/2" THRU 36" PIPE SIZE

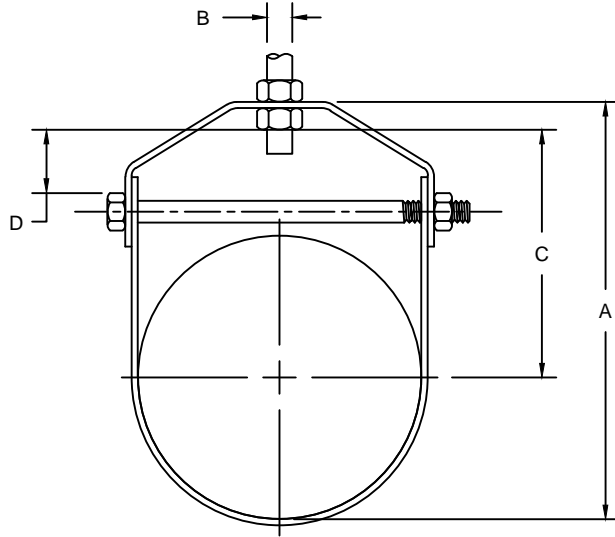
MATERIAL - CARBON STEEL AND STAINLESS STEEL

FUNCTION - RECOMMENDED FOR THE SUSPENSION OF NON-INSULATED, STATIONARY PIPE LINES.

MAXIMUM TEMPERATURE - 650°

FINISH - PLAIN, ELECTRO-GALVANIZED AND HDG

ORDER BY - FIGURE NUMBER, PIPE SIZE AND FINISH



PIPE SIZE	A	B	C	D	CROSS BOLT	MAX REC. LOAD LBS.	APPROX. WEIGHT PER 100
1/2	2-1/16	3/8	1-3/16	1	1/4	610	36
3/4	2-7/8	3/8	1-7/8	1	1/4	610	38
1	3-1/4	3/8	2-1/16	1	1/4	610	42
1-1/4	3-9/16	3/8	2-1/4	1	1/4	610	46
1-1/2	3-7/8	3/8	2-3/8	1	1/4	610	49
2	4-7/16	3/8	2-3/4	1	1/4	610	55
2-1/2	5-5/16	1/2	3-1/4	1	3/8	1130	124
3	5-15/16	1/2	3-1/2	1-1/4	3/8	1130	140
3-1/2	6-7/16	1/2	3-3/4	1-1/4	3/8	1130	152
4	7-3/8	5/8	4-1/4	1-1/2	3/8	1430	190
5	8-15/16	5/8	5-1/4	1-1/2	1/2	1430	235
6	9-13/16	3/4	5-1/2	1-1/2	1/2	1940	317
8	12-9/16	7/8	7-1/8	2	5/8	2000	428
10	16-1/4	7/8	9-5/8	3-1/4	3/4	3600	918
12	19-1/4	7/8	11-5/8	3-1/2	3/4	3800	1143
14	20-13/16	1	12-5/16	3-13/16	7/8	4200	1543
16	21-15/16	1	12-7/16	3-3/4	1	4600	1925
18	24-7/16	1	13-15/16	3-7/8	1-1/8	4800	2243
20	26-5/16	1-1/4	14-7/16	4	1-1/4	4800	4161
24	31-3/8	1-1/4	17-1/2	4-1/4	1-1/4	4800	4835
30	38-7/8	1-1/4	21-7/8	5	1-1/4	6000	6940
36	48	1-1/2	27-3/4	5-3/4	1-1/2	9500	18103

PRODUCTS WITH INTEGRITY