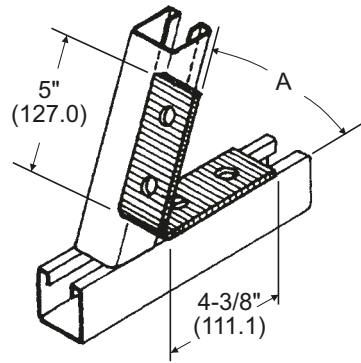




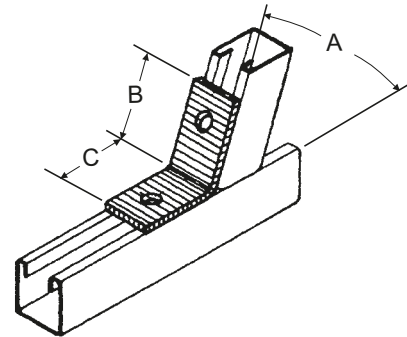
### FOUR-HOLE CLOSED ANGLE

CATALOG NUMBER	A degrees	WEIGHT PER 100	
		lbs	kg
<b>N-1413</b>	60	101	45.9
<b>N-1415</b>	45	101	45.9



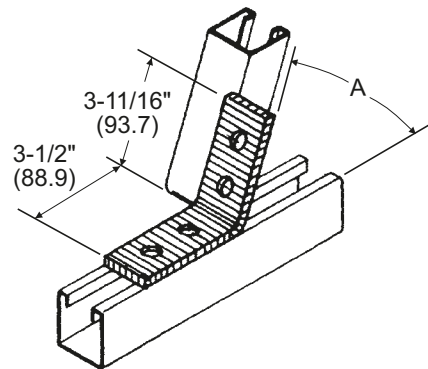
### TWO-HOLE OPEN ANGLE

CATALOG NUMBER	A degrees	B		C		WEIGHT PER 100	
		in	mm	in	mm	lbs	kg
<b>N-1423</b>	60	3-3/8	85.7	1-7/8	47.6	58	26.3
<b>N-1425</b>	45	3	76.2	2-5/16	58.7	58	26.3
<b>N-1427</b>	30	3-1/4	82.6	2-1/16	52.4	58	26.3



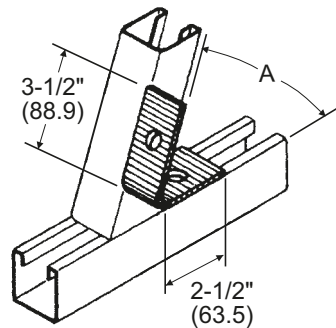
### FOUR-HOLE OPEN ANGLE

CATALOG NUMBER	A degrees	WEIGHT PER 100	
		lbs	kg
<b>N-1443</b>	60	78	35.4
<b>N-1445</b>	45	78	35.4
<b>N-1447</b>	30	78	35.4



### TWO-HOLE CLOSED ANGLE

CATALOG NUMBER	A degrees	WEIGHT PER 100	
		lbs	kg
<b>N-1463</b>	60	63	28.6
<b>N-1465</b>	45	63	28.6

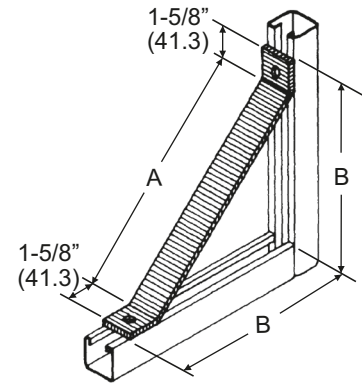


FITTING DATA: Each fitting 1/4" thick, 1 5/8" wide • Holes 9/16" diameter, centered 1 7/8" apart, 13/16" from edge

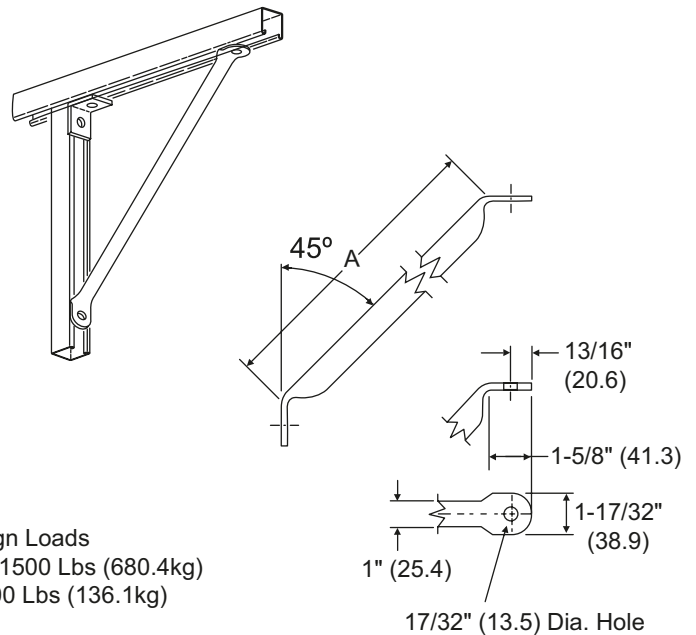
**PRODUCTS WITH INTEGRITY**



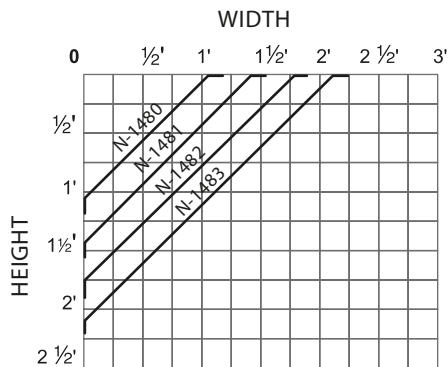
FLAT PLATE KNEE BRACE						
CATALOG NUMBER	A		B		WEIGHT PER 100	
	in	mm	in	mm	lbs	kg
<b>N-1472</b>	12	304.8	10-1/8	257.5	170	77.2
<b>N-1473</b>	16-5/8	422.3	13-3/8	339.7	230	104.4
<b>N-1474</b>	18	457.2	14-3/8	365.1	238	108.1
<b>N-1475</b>	24	609.6	18-5/8	473.0	306	138.9



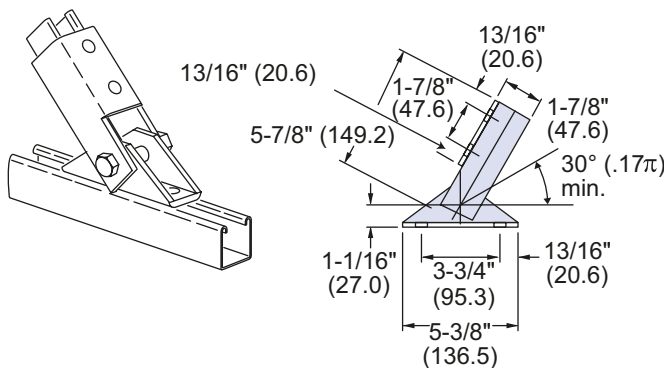
TUBULAR KNEE BRACE				
CATALOG NUMBER	A		WEIGHT PER 100	
	in	mm	lbs	kg
<b>N-1480</b>	18	457.2	146	66.3
<b>N-1481</b>	24	609.6	186	84.4
<b>N-1482</b>	30	762.0	227	103.1
<b>N-1483</b>	36	914.4	267	121.2



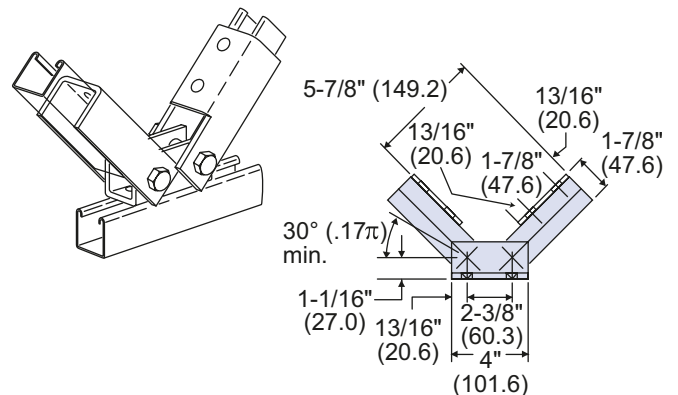
Design Loads  
 Compression = 1500 Lbs (680.4kg)  
 Tension = 300 Lbs (136.1kg)



SINGLE ADJUSTABLE BRACE FITTING	
CATALOG NUMBER	WEIGHT PER 100
<b>N-1491</b>	307 Lbs (139.4 Kg)



DOUBLE ADJUSTABLE BRACE FITTING	
CATALOG NUMBER	WEIGHT PER 100
<b>N-1492</b>	497 Lbs (225.4 Kg)



FITTING DATA: Each fitting 1/4" thick, 1 5/8" wide • Holes 9/16" diameter, centered 1 7/8" apart, 13/16" from edge