

SINGLE HOLE SHOWN ON "B" LEG 7/16" (11.1) DIA.

3/8" x 1" (9.5 x 25.4) SLOTTED HOLE

SHELF BRACKETS									
LEFT HAND	RIGHT HAND	A		B		C		WEIGHT PER 100	
		in	mm	in	mm	in	mm	lbs	kg
N-1601	N-1602	6	152.4	1-15/16	49.2	3	76.2	67	30.4
N-1603	N-1604	8	203.2	2-7/16	61.9	5	127.0	92	41.8
N-1605	N-1606	10	254.0	2-15/16	74.6	7	177.8	120	54.5
N-1607	N-1608	12	304.8	3-7/16	87.3	3	76.2	152	69.0
N-1609	N-1610	14	355.6	3-15/16	100.0	4	101.6	173	78.5
N-1611	N-1612	16	406.4	4-7/16	112.7	5	127.0	223	101.2
N-1613	N-1614	18	457.2	4-15/16	125.4	6	152.4	266	120.8
N-1615	N-1616	20	508.0	5-7/16	138.1	7	177.8	308	139.8
N-1617	N-1618	22	558.8	5-15/16	150.8	8	203.2	355	161.2
N-1619	N-1620	24	609.6	6-7/16	163.5	5	127.0	400	181.6
N-1621	N-1622	26	660.4	6-15/16	176.2	5-11/16	144.5	445	202.0
N-1623	N-1624	28	711.2	7-7/16	188.9	6-5/16	160.3	493	223.8
N-1625	N-1626	30	762.0	7-15/16	201.6	7	177.8	545	247.4

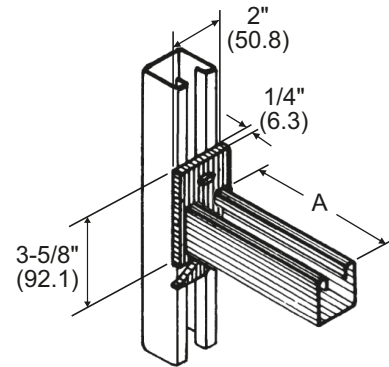
Right Hand Shown 12 GA (2.6 mm) Steel

DESIGN UNIFORM LOAD 250 Lbs (1.12 kN)



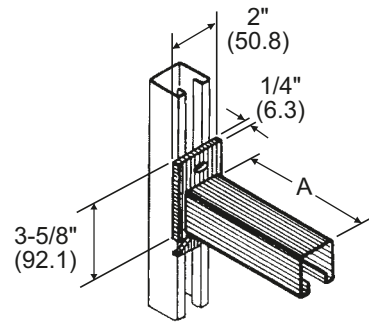
CHANNEL BRACKETS						
CATALOG NUMBER	A		WEIGHT PER 100		N-200	
	in	mm	lbs	kg	lbs	kN
N-1631	6	152.4	151	68.6	1200	5.38
N-1632	12	304.8	251	114.0	600	2.69
N-1633	18	457.2	351	159.4	400	1.79
N-1634	24	609.6	451	204.8	300	1.34

When installed in the inverted position, use 60% of loads shown.



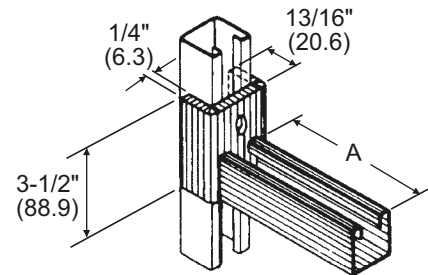
CHANNEL BRACKETS						
CATALOG NUMBER	A		WEIGHT PER 100		N-200	
	in	mm	lbs	kg	lbs	kN
N-1635	6	152.4	151	68.6	1200	5.38
N-1636	12	304.8	251	114.0	600	2.69
N-1637	18	457.2	351	159.4	400	1.79
N-1638	24	609.6	451	204.8	300	1.34

When installed in the inverted position, use 60% of loads shown.



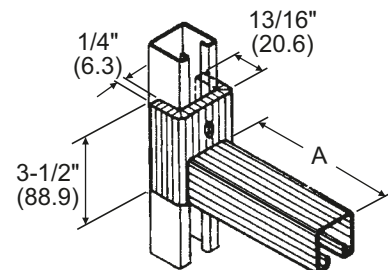
CHANNEL BRACKETS						
CATALOG NUMBER	A		WEIGHT PER 100		N-200	
	in	mm	lbs	kg	lbs	kN
N-1641	6	152.4	191	86.7	1600	7.17
N-1642	12	304.8	292	132.6	800	3.58

When installed in the inverted position, use 60% of loads shown.



CHANNEL BRACKETS						
CATALOG NUMBER	A		WEIGHT PER 100		N-200	
	in	mm	lbs	kg	lbs	kN
N-1645	6	152.4	191	86.6	1600	7.17
N-1646	12	304.8	292	132.6	800	3.58

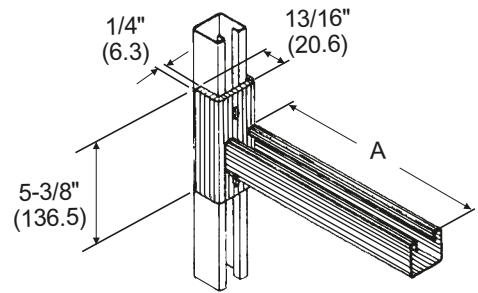
When installed in the inverted position, use 60% of loads shown.



FITTING DATA: Each fitting 1/4" thick, 1 5/8" wide • Holes 9/16" diameter, centered 1 7/8" apart, 13/16" from edge

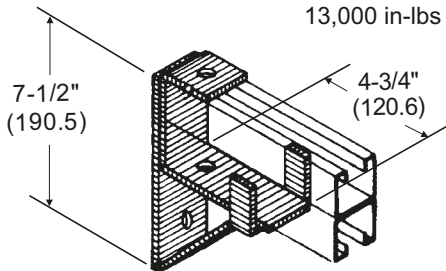


CHANNEL BRACKETS						
CATALOG NUMBER	in	A mm	WEIGHT PER 100		N-200	
			lbs	kg	lbs	kN
N-1647	18	457.2	436	197.9	600	2.60
N-1648	24	609.6	536	243.3	450	2.01



BRACKET FOR N-200A	
CATALOG NUMBER	WEIGHT PER 100
N-1650	272 Lbs (123.5 Kg)

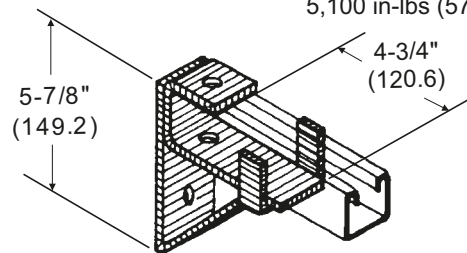
Loading* Design Moment
For 12 GA Steel
13,000 in-lbs (1469 Nm)



* Applies to fitting only, not to strength of strut arm.

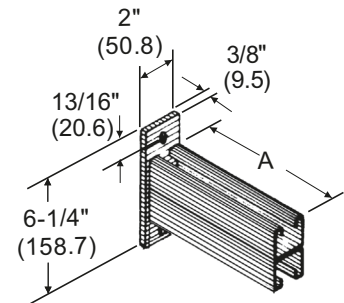
BRACKET FOR N-200	
CATALOG NUMBER	WEIGHT PER 100
N-1651	229 Lbs (104.0 Kg)

Loading* Design Moment
For 12 GA Steel
5,100 in-lbs (576 Nm)



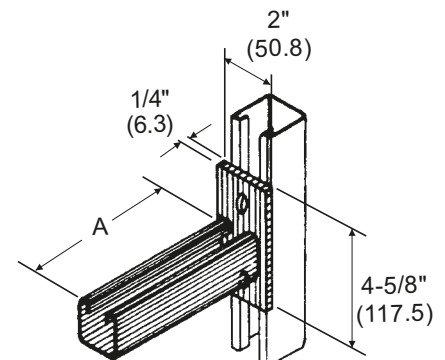
* Applies to fitting only, not to strength of strut arm.

CHANNEL BRACKETS						
CATALOG NUMBER	in	A mm	WEIGHT PER 100		N-200	
			lbs	kg	lbs	kN
N-1652	12	304.8	514	233.4	2000	8.96
N-1653	18	457.2	714	324.0	1300	5.82
N-1654	24	609.6	914	415.0	1000	4.48
N-1655	30	762.0	1114	505.8	800	3.58
N-1656	36	914.4	1314	596.6	650	2.91



CHANNEL BRACKETS						
CATALOG NUMBER	in	A mm	WEIGHT PER 100		N-200	
			lbs	kg	lbs	kN
N-1661	6	152.4	153	69.4	1600	7.17
N-1662	12	304.8	248	112.6	800	3.58
N-1663	18	457.2	342	155.3	550	2.46
N-1664	24	609.6	437	198.4	400	1.79

Safety factor 2-1/2



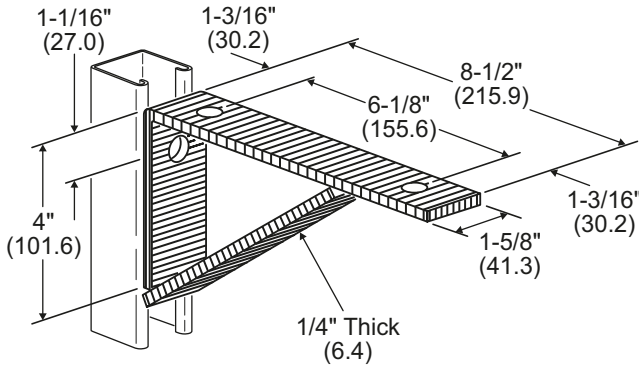
FITTING DATA: Each fitting 1/4" thick, 1 5/8" wide • Holes 9/16" diameter, centered 1 7/8" apart, 13/16" from edge



KUMAR INDUSTRIES, INC. TEL: (909) 591-0722 FAX: (909) 591-6334

SHELF BRACKETS

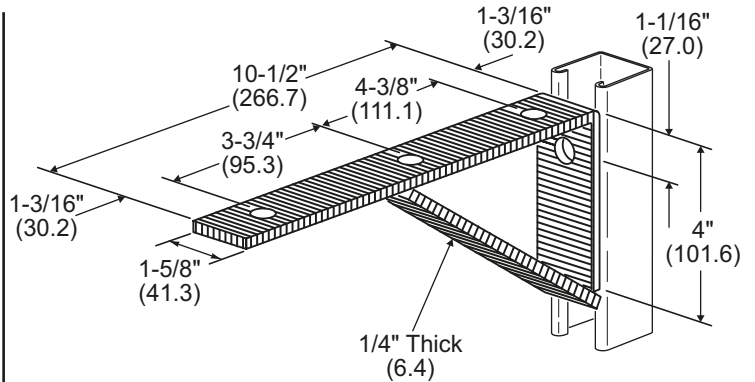
CATALOG NUMBER	VERTICAL CHANNEL PART #	GAUGE	UNIF. LOAD		WT PER 100	
			Lbs	kN	Lbs	Kg
N-1669	N-200	12	800	3.58	174	78.9



Safety Factor of 2-1/2

SHELF BRACKETS

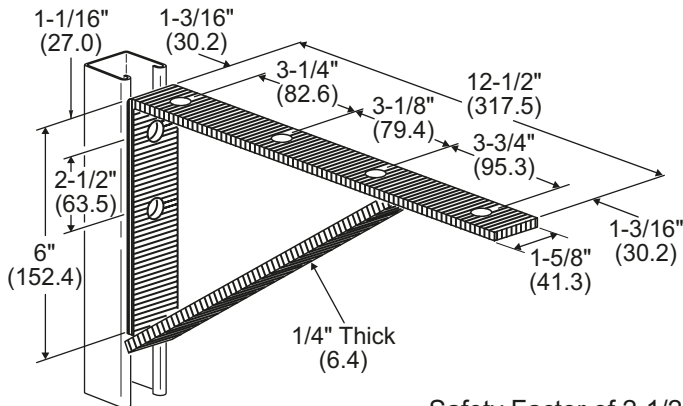
CATALOG NUMBER	VERTICAL CHANNEL PART #	GAUGE	UNIF. LOAD		WT PER 100	
			Lbs	kN	Lbs	Kg
N-1671	N-200	12	800	3.58	206	93.4



Safety Factor of 2-1/2

SHELF BRACKETS

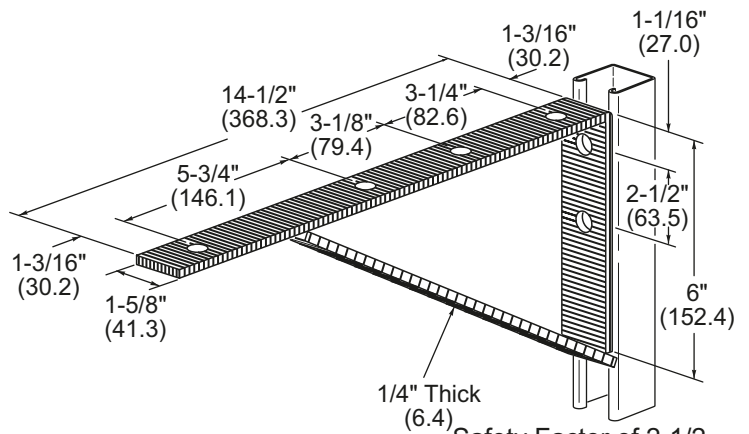
CATALOG NUMBER	VERTICAL CHANNEL PART #	GAUGE	UNIF. LOAD		WT PER 100	
			Lbs	kN	Lbs	Kg
N-1673	N-200	12	900	4.03	264	119.7



Safety Factor of 2-1/2

SHELF BRACKETS

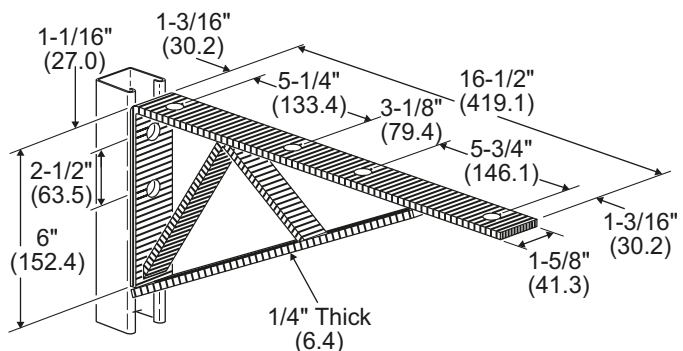
CATALOG NUMBER	VERTICAL CHANNEL PART #	GAUGE	UNIF. LOAD		WT PER 100	
			Lbs	kN	Lbs	Kg
N-1675	N-200	12	900	4.03	295	133.8



Safety Factor of 2-1/2

SHELF BRACKETS

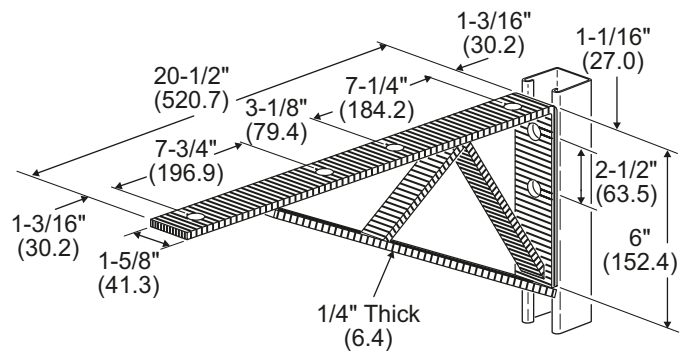
CATALOG NUMBER	VERTICAL CHANNEL PART #	GAUGE	UNIF. LOAD		WT PER 100	
			Lbs	kN	Lbs	Kg
N-1677	N-200	12	1200	5.87	385	174.6



Safety Factor of 2-1/2

SHELF BRACKETS

CATALOG NUMBER	VERTICAL CHANNEL PART #	GAUGE	UNIF. LOAD		WT PER 100	
			Lbs	kN	Lbs	Kg
N-1681	N-200	12	600	2.69	459	208.2



Safety Factor of 2-1/2

FITTING DATA: Each fitting 1/4" thick, 1 5/8" wide • Holes 9/16" diameter, centered as shown, 1 3/16" from edge

PRODUCTS WITH INTEGRITY